



Torque screwdriver tester

SmartCheck USB

Product no.	96521206
GTIN	4018754324842
Model	SMARTCHECK 10S USB



Label.

Torque screwdriver tester SmartCheck USB Measuring r.1-10N·m Internal square 1/4"

Features.

- for testing indicating and triggering torque screwdrivers
- large LCD display for optimum readability
- the display, the display holder, and the base can be rotated 180°
- compact design
- waterproof display and foil keyboard; case made of impact-resistant plastic
- simple installation thanks to pre-drilled holes in the mounting bracket
- horizontal or vertical installations
- for controlled right and left-hand torque testing
- 3 operating modes: running display of the applied torque (Track), display of the torque on triggering/kink point detection (First-Peak), peak value display (Peak-Hold)
- customized input of target torques and tolerances for evaluating the measured value possible
- with integrated visual and acoustic overload protection
- 3 measuring units (N·m, ft·lb, in·lb)
- micro USB interface for data export and for optional power supply
- data storage for up to 200 data records, including date and time stamp
- CheckMaster documentation software for transferring values and creating test certificates is available free of charge at www.stahlwille.de
- operation via included power supply, batteries or rechargeable batteries (4 x AAA or 1 x 9V block, including adapter)
- with factory calibration certificate
- delivered in a sturdy plastic box
- **display deviation $\pm 1\%$**

Advantages.

Electronic testing device for checking and adjusting indicating and triggering torque screwdrivers.

Simple, quick and reliable testing of torque screwdrivers to ensure quality in production.

Simple documentation of the measured values on the PC via USB interface.

For maximum user-friendliness, the device can be mounted in a horizontal or vertical test position.

The large LCD can be rotated 180° and is easy to read from any position.



Product highlights.



Flexible mounting.

Whether mounted horizontally or vertically, the well-designed mounting points, compact design and rotatable display allow flexible positioning anywhere in the workshop.



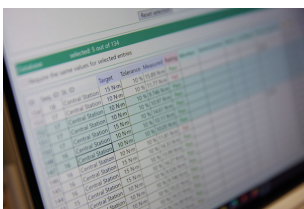
Optimum viewing angle

The compact testing device can be adjusted to the optimum individual viewing angle. The display can be viewed from practically anywhere, as not only the large LCD, but also the display holder and the base body can be rotated by 180°.



Communication and power supply via USB.

SmartCheck is equipped with a convenient micro-USB interface that allows stored test values to be read out and simplifies their transfer to external systems. The USB port also serves as an optional power supply for the device.



Comprehensive documentation.

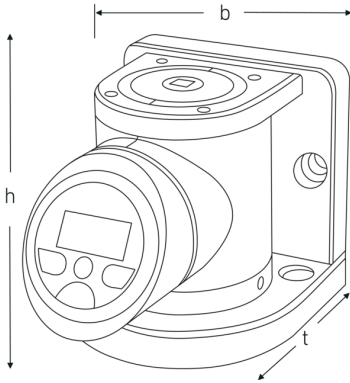
The SmartCheck testing device can be easily configured with CheckMaster software, allowing direct evaluation of measurement results. This means that all data can be read out and saved on the PC for better monitoring and optimisation of the work processes.



Plug and Work.

Our SmartCheck is intuitive and ready to use right away. It is space-saving and can be mounted flexibly with its versatile mounting options. The device is powered by either a mains power supply or batteries and can therefore be easily positioned at any workstation, even if no power outlet is available.

Technical Drawing.



Technical Attributes.

Measuring range N·m	1-10 N·m
Internal square [inch]	1/4 "
Measuring range ft·lb	0,74-7,4 ft·lb
Measuring range in·lb	8,9-88,5 in·lb
Number of digits	4
Width mm (b)	120 mm
Weight with box	6556 g
Height mm (h)	124 mm
Model no.	SmartCheck USB 10S
t	167 mm

Logistics data.

Depth mm (IFS)	395
Width mm (IFS)	300
Height mm (IFS)	150
Length (packed, mm)	395
Width (packed, mm)	300
Height (packed, mm)	150
Volume (packed, dm ³)	17.775 dm ³
Product no.	96521206
Weight (gross, kg)	7,000
Weight PAP (kg)	0,156
Weight PVC (kg)	0,000
GTIN	4018754324842
Country of origin AWR	GERMANY
Region of origin	Nordrhein-Westfalen
WEEE/ElektroG	Kleingeräte B2C
Customs tariff no.	90318080
Packing standard	1
Weight	5210 g

Parts list.



81500004
Plastic case, empty



52110063
USB mains adaptor



83230103
Soft foam inserts



83230102
Soft foam inserts



91100522
Packaging material



51110057
USB cable

Variants.

Product no.	Model no. (ERP)	Description	GTIN
96521206	SMARTCHECK 10S USB	Torque screwdriver tester SmartCheck USB Measuring r.1-10N·m Internal square 1/4"	4018754324842
96521207	SMARTCHECK 10 USB	Torque tester SmartCheck USB Measuring r.1-10N·m Internal square 1/4"	4018754324859
96521208	SMARTCHECK 100 USB	Torque tester SmartCheck USB Measuring r.10-100N·m Internal square 3/8"	4018754324866
96521209	SMARTCHECK 400 USB	Torque tester SmartCheck USB Measuring r.40-400N·m Internal square 3/4"	4018754324873
96521210	SMARTCHECK 800 USB	Torque tester SmartCheck USB Measuring r.80-800N·m Internal square 3/4"	4018754324880
96521211	SMARTCHECK 1500 USB	Torque tester SmartCheck USB Measuring r.150-1500N·m Internal square 1"	4018754331352

GTIN-Code.



Images.



STAHLWILLE Eduard Wille GmbH & Co. KG

Lindenallee 27 · 42349 Wuppertal · Germany · Phone: +49 202 4791-0 · Fax: +49 202 4791-200
info@stahlwille.de · www.stahlwille.com · Copyright by STAHLWILLE Eduard Wille GmbH & Co. KG, Wuppertal
Copyright by STAHLWILLE Eduard Wille GmbH & Co. KG, Wuppertal