

IMPACT socket

66IMP



Product no. **26020038**
GTIN **4018754016464**
Model **66 IMP 38**



Label. IMPACT socket 1 " 38mm L.110mm

- Features.**
- long version
 - with hex
 - 1" internal square drive
 - Chrome Alloy Steel, gunmetal finish
 - DIN 3129 / ISO 1711-2

Advantages.

1" internal square drive.

Product highlights.



Powerful and resilient.

The sockets are made from high-quality Chrome Alloy Steel. They are hardened in oil to prevent stress and distortion.



Optimized functionality.

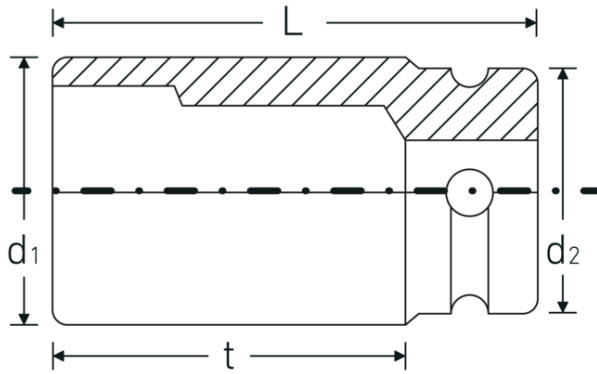
All IMPACT sockets have a through cross hole for the connecting pin and a deep groove for the rubber locking ring. The locking pin is not stressed during use.



High fitting accuracy.

The high precision fit, achieved through tight tolerances, ensures optimal, backlash-free transmission of forces to the socket.

Technical Drawing.



Technical Attributes.

Drive profile	hex
Internal square drive (inch)	1 "
d1	59 mm
d2	54 mm
Length mm (L)	110 mm
Width across flats [mm]	38 mm
t	77 mm

Logistics data.

Depth mm (IFS)	110
Width mm (IFS)	59
Height mm (IFS)	59
Length (packed, mm)	119
Width (packed, mm)	111
Height (packed, mm)	60
Volume (packed, dm ³)	0.79254 dm ³
Product no.	26020038
Weight (gross, kg)	2,710
Weight PAP (kg)	0,000
Weight PVC (kg)	0,000
GTIN	4018754016464
Country of origin AWR	GERMANY
Region of origin	Nordrhein-Westfalen
WEEE/ElektroG	nicht ear-pflichtig
Customs tariff no.	82042000
Packing standard	2
Weight	1355 g

Variants.

Product no.	Model no. (ERP)	Description	GTIN
26020024	66 IMP 24	IMPACT socket 1 " 24mm L.110mm	4018754016402
26020027	66 IMP 27	IMPACT socket 1 " 27mm L.110mm	4018754016419
26020030	66 IMP 30	IMPACT socket 1 " 30mm L.110mm	4018754016426
26020032	66 IMP 32	IMPACT socket 1 " 32mm L.110mm	4018754016433
26020033	66 IMP 33	IMPACT socket 1 " 33mm L.110mm	4018754016440
26020036	66 IMP 36	IMPACT socket 1 " 36mm L.110mm	4018754016457
26020038	66 IMP 38	IMPACT socket 1 " 38mm L.110mm	4018754016464
26020041	66 IMP 41	IMPACT socket 1 " 41mm L.110mm	4018754016471
26020046	66 IMP 46	IMPACT socket 1 " 46mm L.110mm	4018754016488

GTIN-Code.

