

IMPACT socket

66IMP



Product no. **26020036**
GTIN **4018754016457**
Model **66 IMP 36**



Label. IMPACT socket 1 " 36mm L.110mm

Features.

- long version
- with hex
- 1" internal square drive
- Chrome Alloy Steel, gunmetal finish
- DIN 3129 / ISO 1711-2

Advantages.

1" internal square drive.

Product highlights.



Powerful and resilient.

The sockets are made from high-quality Chrome Alloy Steel. They are hardened in oil to prevent stress and distortion.



Optimized functionality.

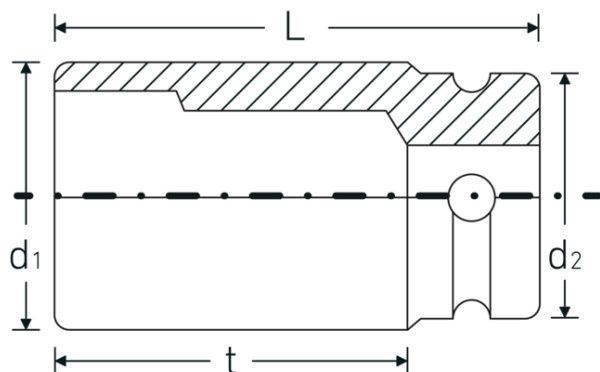
All IMPACT sockets have a through cross hole for the connecting pin and a deep groove for the rubber locking ring. The locking pin is not stressed during use.



High fitting accuracy.

The high precision fit, achieved through tight tolerances, ensures optimal, backlash-free transmission of forces to the socket.

Technical Drawing.



Technical Attributes.

Drive profile	hex
Internal square drive (inch)	1 "
d1	56,5 mm
d2	54 mm
Length mm (L)	110 mm
Width across flats [mm]	36 mm
t	78 mm

Logistics data.

Depth mm (IFS)	110
Width mm (IFS)	57
Height mm (IFS)	57
Length (packed, mm)	115
Width (packed, mm)	111
Height (packed, mm)	58
Volume (packed, dm ³)	0.74037 dm ³
Product no.	26020036
Weight (gross, kg)	2,624
Weight PAP (kg)	0,000
Weight PVC (kg)	0,009
GTIN	4018754016457
Country of origin AWR	GERMANY
Region of origin	Nordrhein-Westfalen
WEEE/ElektroG	nicht ear-pflichtig
Customs tariff no.	82042000
Packing standard	2
Weight	1312 g

Variants.

Product no.	Model no. (ERP)	Description	GTIN
26020024	66 IMP 24	IMPACT socket 1 " 24mm L.110mm	4018754016402
26020027	66 IMP 27	IMPACT socket 1 " 27mm L.110mm	4018754016419
26020030	66 IMP 30	IMPACT socket 1 " 30mm L.110mm	4018754016426
26020032	66 IMP 32	IMPACT socket 1 " 32mm L.110mm	4018754016433
26020033	66 IMP 33	IMPACT socket 1 " 33mm L.110mm	4018754016440
26020036	66 IMP 36	IMPACT socket 1 " 36mm L.110mm	4018754016457
26020038	66 IMP 38	IMPACT socket 1 " 38mm L.110mm	4018754016464
26020041	66 IMP 41	IMPACT socket 1 " 41mm L.110mm	4018754016471
26020046	66 IMP 46	IMPACT socket 1 " 46mm L.110mm	4018754016488

GTIN-Code.

