



## IMPACT sockets 1/2"

**50IMP**

Product no. **23010022**  
GTIN **4018754015078**  
Model **50 IMP 22**



**Label.** IMPACT socket 1/2 " 22mm L.42mm

- Features.**
- with hex
  - 1/2" internal square drive
  - DIN 3129 / ISO 1711-2
  - Chrome Alloy Steel, gunmetal finish

## Product highlights.



### Powerful and resilient.

The sockets are made from high-quality Chrome Alloy Steel. They are hardened in oil to prevent stress and distortion.



### Optimised functionality.

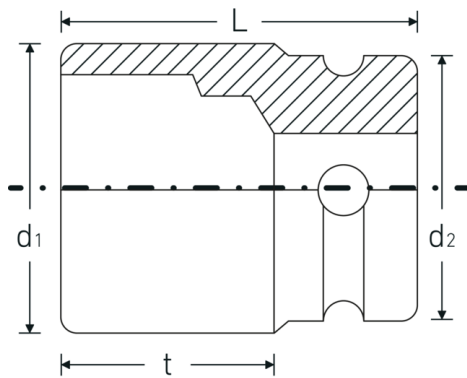
All IMPACT sockets have a through cross hole for the connecting pin and a deep groove for the rubber locking ring. The locking pin is not stressed during use.



### High fitting accuracy.

The high fitting accuracy due to tight tolerances guarantees optimum, backlash-free transmission of forces to the socket.

## Technical Drawing.



## Technical Attributes.

|                              |                          |
|------------------------------|--------------------------|
| Drive profile                | hex                      |
| Internal square drive (inch) | 1/2 "                    |
| d1                           | 32,5 mm                  |
| d2                           | 30 mm                    |
| DIN                          | DIN 3129 / ISO<br>1711-2 |
| Length mm (L)                | 42 mm                    |
| Spanner size [mm]            | 22 mm                    |
| t                            | 25 mm                    |

## Logistics data.

|                                   |                        |
|-----------------------------------|------------------------|
| Depth mm (IFS)                    | 40                     |
| Width mm (IFS)                    | 33                     |
| Height mm (IFS)                   | 33                     |
| Length (packed, mm)               | 180                    |
| Width (packed, mm)                | 80                     |
| Height (packed, mm)               | 42                     |
| Volume (packed, dm <sup>3</sup> ) | 0.6048 dm <sup>3</sup> |
| Product no.                       | 23010022               |
| Weight (gross, kg)                | 1,410                  |
| Weight PAP (kg)                   | 0,000                  |
| Weight PVC (kg)                   | 0,009                  |
| GTIN                              | 4018754015078          |
| Country of origin AWR             | GERMANY                |
| Region of origin                  | Nordrhein-Westfalen    |
| WEEE/ElektroG                     | nicht ear-pflichtig    |
| Customs tariff no.                | 82042000               |
| Packing standard                  | 10                     |
| Weight                            | 141 g                  |

## Variants.

| Product no. | Model no. (ERP) | Description                     | GTIN          |
|-------------|-----------------|---------------------------------|---------------|
| 23010008    | 50 IMP 8        | IMPACT socket 1/2 " 8mm L.38mm  | 4018754233731 |
| 23010010    | 50 IMP 10       | IMPACT socket 1/2 " 10mm L.38mm | 4018754014958 |
| 23010011    | 50 IMP 11       | IMPACT socket 1/2 " 11mm L.38mm | 4018754014965 |

|          |           |                                 |               |
|----------|-----------|---------------------------------|---------------|
| 23010012 | 50 IMP 12 | IMPACT socket 1/2 " 12mm L.38mm | 4018754233748 |
| 23010013 | 50 IMP 13 | IMPACT socket 1/2 " 13mm L.38mm | 4018754014989 |
| 23010014 | 50 IMP 14 | IMPACT socket 1/2 " 14mm L.38mm | 4018754014996 |
| 23010015 | 50 IMP 15 | IMPACT socket 1/2 " 15mm L.38mm | 4018754015009 |
| 23010016 | 50 IMP 16 | IMPACT socket 1/2 " 16mm L.38mm | 4018754015016 |
| 23010017 | 50 IMP 17 | IMPACT socket 1/2 " 17mm L.38mm | 4018754015023 |
| 23010018 | 50 IMP 18 | IMPACT socket 1/2 " 18mm L.38mm | 4018754015030 |
| 23010019 | 50 IMP 19 | IMPACT socket 1/2 " 19mm L.40mm | 4018754015047 |
| 23010021 | 50 IMP 21 | IMPACT socket 1/2 " 21mm L.40mm | 4018754015061 |
| 23010022 | 50 IMP 22 | IMPACT socket 1/2 " 22mm L.42mm | 4018754015078 |
| 23010023 | 50 IMP 23 | IMPACT socket 1/2 " 23mm L.40mm | 4018754233755 |
| 23010024 | 50 IMP 24 | IMPACT socket 1/2 " 24mm L.44mm | 4018754015092 |
| 23010025 | 50 IMP 25 | IMPACT socket 1/2 " 25mm L.44mm | 4018754233762 |
| 23010027 | 50 IMP 27 | IMPACT socket 1/2 " 27mm L.45mm | 4018754015122 |
| 23010030 | 50 IMP 30 | IMPACT socket 1/2 " 30mm L.50mm | 4018754233779 |
| 23010032 | 50 IMP 32 | IMPACT socket 1/2 " 32mm L.50mm | 4018754233786 |

## GTIN-Code.



## Accessories.



39022530  
Connecting pin



39012440  
IMPACT rubber ring

### STAHLWILLE Eduard Wille GmbH & Co. KG

Lindenallee 27 · 42349 Wuppertal · Germany · Phone: +49 202 4791-0 · Fax: +49 202 4791-200

info@stahlwille.de · www.stahlwille.com · Copyright by STAHLWILLE Eduard Wille GmbH & Co. KG, Wuppertal

Copyright by STAHLWILLE Eduard Wille GmbH & Co. KG, Wuppertal