



Puller

11501

Product no. **71050104**
GTIN **4018754342297**
Model **11501/4 Abziehvorrichtung zu
Trennvorr.**

Label.

Puller

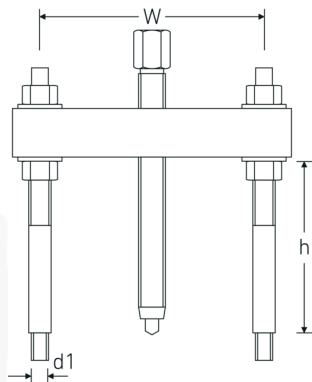
Product highlights.



For increased safety.

Thoughtfully designed, die-forged and precisely machined, hardened and tempered on state-of-the-art machines - the STAHLWILLE puller range offers numerous products for a wide range of applications. For example, terminal pullers, pullers for ball joints, counter stays or ball joint extractors - always in premium quality.

Technical Drawing.



Technical Attributes.

External hex drive (mm)	27 mm
Connection thread	M18 x 1,5
for model	11500/4
Size	4
Clamping range	90-300 mm
Clamping depth mm	205 mm
Spindle thread size	G3/4 x 280

Logistics data.

Depth mm (IFS)	440
Width mm (IFS)	195
Height mm (IFS)	60
Length (packed, mm)	440
Width (packed, mm)	195
Height (packed, mm)	60
Volume (packed, dm3)	5.148 dm3
Product no.	71050104
Weight (gross, kg)	7,000
Weight PAP (kg)	0,008
Weight PVC (kg)	0,000
GTIN	4018754342297
Country of origin AWR	GERMANY
Region of origin	Nordrhein-Westfalen
WEEE/ElektroG	nicht ear-pflichtig
Customs tariff no.	82055980
Packing standard	1
Weight	6500 g

Variants.

Product no.	Model no. (ERP)	Description	GTIN
71050101	11501/1 Abziehvorrichtung zu Trennvorr.	Puller	4018754342266
71050102	11501/2 Abziehvorrichtung zu Trennvorr.	Puller	4018754342273
71050103	11501/3 Abziehvorrichtung zu Trennvorr.	Puller	4018754342280
71050104	11501/4 Abziehvorrichtung zu Trennvorr.	Puller	4018754342297

GTIN-Code.



Accessories.



71050019
Disconnecter

Images.

