



## Tool trolley 95 PRO

### 95/8 PRO

Product no.	81200166
GTIN	4018754334698
Model	95/8 A PRO

#### Label.

Tool trolley 95/8 PRO 8 Drawers 496 x 827 x 1020 mm anthracite, RAL 7016; black, RAL 9008

#### Features.

- **three-stage safety concept:**
  1. central locking with a lateral cylinder lock and hinged key
  2. individual locks prevent inadvertent opening while in transit
  3. topple proof – it is not possible to pull out several drawers at the same time.
- stainless steel handle with reinforced frame connection
- all-round frame protection with shock absorption
- tightly welded, resilient work surface, storage area, and end panel made of stainless steel
- oil and acid-resistant ball-bearing smooth-running wheels (125 mm diameter) with thread guards to protect the bearings from dirt and threads, with two locking brakes
- paper roller and spray can holder included
- 8 easy-to-remove drawers (black RAL 9005) with full-extension runners and bearing cage guide
- hole pattern on both sides for hooks No. 8031-8041, e.g., for larger tools
- can be fitted with STAHLWILLE standard and TCS inserts

## Advantages.

Three-stage safety concept: 1. Central locking by side cylinder lock with folding key 2. Individual locks prevent inadvertent opening while in transit 3. Tilt protection – it is not possible to pull out several drawers at the same time



## Product highlights.



### Durable wheels.

Oil and acid resistant smooth-running wheels (Ø 125 mm) with carpet protection to protect the bearings from dirt and fibres; with two locking brakes.



### Optimally organised.

All drawers can be extended up to 100%. Combining the use of STAHLWILLE standard and TCS inserts, or the variable drawer dividers, ensures a clear overview and convenient access to tools.

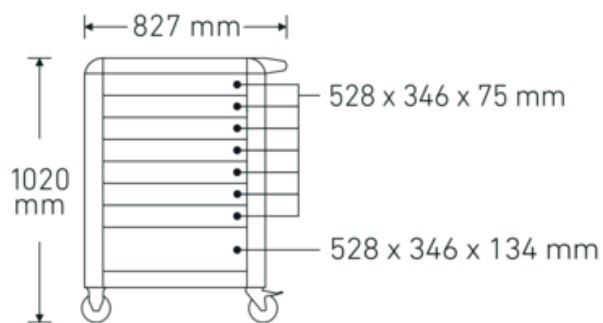
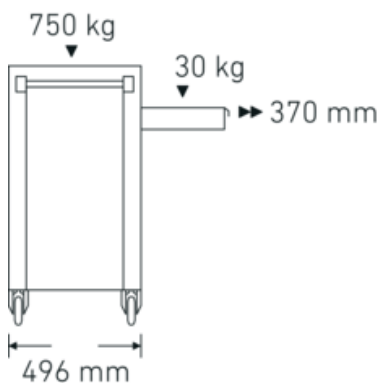
## Technologies and features.



### Tool Control System

The intelligent modular insert system protects and organises the tools in tool boxes, workshop trolleys and workshop benches. Two-colour foam inlays make checking the completeness of the tools quick and easy.

## Technical Drawing.



## Technical Attributes.

Number of drawers	8
Width mm (b)	827 mm
Colour	anthracite, RAL 7016; black, RAL 9008
Colour abbreviation	RAL 7016; RAL 9005

## Logistics data.

Depth mm (IFS)	720
Width mm (IFS)	496
Height mm (IFS)	863
Length (packed, mm)	836
Width (packed, mm)	587

<b>Height mm (h)</b>	1020 mm	<b>Height (packed, mm)</b>	940
<b>Length mm (L)</b>	496 mm	<b>Volume (packed, dm3)</b>	461.28808 dm3
<b>Model no.</b>	95/8 A PRO	<b>Product no.</b>	81200166
<b>Internal drawer dimensions mm</b>	346 x 528 x 75 mm (7x) 346 x 528 x 134 mm (1x)	<b>Weight (gross, kg)</b>	79,000
<b>Drawer load capacity</b>	30 kg 45 kg	<b>Weight PAP (kg)</b>	7,500
<b>Load capacity</b>	750 kg	<b>Weight PVC (kg)</b>	0,000
		<b>GTIN</b>	4018754334698
		<b>Country of origin AWR</b>	CHINA
		<b>Region of origin</b>	Ausländischer Ursprung
		<b>WEEE/ElektroG</b>	nicht ear-pflichtig
		<b>Customs tariff no.</b>	94032080
		<b>Packing standard</b>	1
		<b>Weight</b>	71500 g

## Variants.

Product no.	Model no. (ERP)	Description	GTIN
81200166	95/8 A PRO	Tool trolley 95/8 PRO 8 Drawers 496 x 827 x 1020 mm anthracite, RAL 7016; black, RAL 9008	4018754334698
81200167	95/8 B PRO	Tool trolley 95/8 PRO 8 Drawers 496 x 827 x 1020 mm blue, RAL 270 30 35	4018754334704
81200168	95/8 R PRO	Tool trolley 95/8 PRO 8 Drawers 496 x 827 x 1020 mm red, RAL 3020; black RAL 9005	4018754334711

## GTIN-Code.



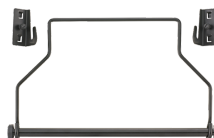
## Accessories.



90432802  
Protective cover



90432727  
Spray-can holder



81483004  
Paper roll holder



89010040  
Cable holder



83812070  
Empty tray for small  
components



81484001  
Drawer separator



81484002  
Drawer divider

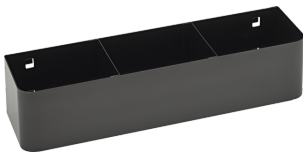


89011053  
Waste bin



89010042  
Laptop holder adaptor

## Spare parts/spare part for.



90432719  
Spray-can holder



81490001  
Set of wheels

## Images.



**STAHLWILLE Eduard Wille GmbH & Co. KG**

Lindenallee 27 · 42349 Wuppertal · Germany · Phone: +49 202 4791-0 · Fax: +49 202 4791-200  
info@stahlwille.de · www.stahlwille.com · Copyright by STAHLWILLE Eduard Wille GmbH & Co. KG, Wuppertal  
Copyright by STAHLWILLE Eduard Wille GmbH & Co. KG, Wuppertal