



## IMPACT socket

**50IMP**

Product no. **23010013**  
GTIN **4018754014989**  
Model **50 IMP 13**



**Label.** IMPACT socket 1/2 " 13mm L.38mm

**Features.**

- with hex
- 1/2" internal square drive
- DIN 3129 / ISO 1711-2
- Chrome Alloy Steel, gunmetal finish

## Advantages.

1/2" internal square drive.

## Product highlights.



### **Powerful and resilient.**

The sockets are made from high-quality Chrome Alloy Steel. They are hardened in oil to prevent stress and distortion.



### **Optimized functionality.**

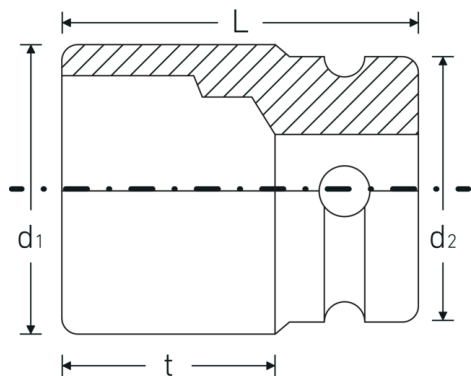
All IMPACT sockets have a through cross hole for the connecting pin and a deep groove for the rubber locking ring. The locking pin is not stressed during use.



### High fitting accuracy.

The high precision fit, achieved through tight tolerances, ensures optimal, backlash-free transmission of forces to the socket.

## Technical Drawing.



## Technical Attributes.

|                              |                       |
|------------------------------|-----------------------|
| Drive profile                | hex                   |
| Internal square drive (inch) | 1/2 "                 |
| d1                           | 20,8 mm               |
| d2                           | 25 mm                 |
| DIN                          | DIN 3129 / ISO 1711-2 |
| Length mm (L)                | 38 mm                 |
| Width across flats [mm]      | 13 mm                 |
| t                            | 21,5 mm               |

## Logistics data.

|                       |                     |
|-----------------------|---------------------|
| Depth mm (IFS)        | 38                  |
| Width mm (IFS)        | 25                  |
| Height mm (IFS)       | 25                  |
| Length (packed, mm)   | 140                 |
| Width (packed, mm)    | 60                  |
| Height (packed, mm)   | 40                  |
| Volume (packed, dm3)  | 0.336 dm3           |
| Product no.           | 23010013            |
| Weight (gross, kg)    | 0,865               |
| Weight PAP (kg)       | 0,000               |
| Weight PVC (kg)       | 0,006               |
| GTIN                  | 4018754014989       |
| Country of origin AWR | GERMANY             |
| Region of origin      | Nordrhein-Westfalen |
| WEEE/ElektroG         | nicht ear-pflichtig |
| Customs tariff no.    | 82042000            |
| Packing standard      | 10                  |
| Weight                | 85 g                |

## Variants.

| Product no. | Model no. (ERP) | Description                     | GTIN          |
|-------------|-----------------|---------------------------------|---------------|
| 23010008    | 50 IMP 8        | IMPACT socket 1/2 " 8mm L.38mm  | 4018754233731 |
| 23010010    | 50 IMP 10       | IMPACT socket 1/2 " 10mm L.38mm | 4018754014958 |
| 23010011    | 50 IMP 11       | IMPACT socket 1/2 " 11mm L.38mm | 4018754014965 |
| 23010012    | 50 IMP 12       | IMPACT socket 1/2 " 12mm L.38mm | 4018754233748 |
| 23010013    | 50 IMP 13       | IMPACT socket 1/2 " 13mm L.38mm | 4018754014989 |
| 23010014    | 50 IMP 14       | IMPACT socket 1/2 " 14mm L.38mm | 4018754014996 |
| 23010015    | 50 IMP 15       | IMPACT socket 1/2 " 15mm L.38mm | 4018754015009 |
| 23010016    | 50 IMP 16       | IMPACT socket 1/2 " 16mm L.38mm | 4018754015016 |
| 23010017    | 50 IMP 17       | IMPACT socket 1/2 " 17mm L.38mm | 4018754015023 |
| 23010018    | 50 IMP 18       | IMPACT socket 1/2 " 18mm L.38mm | 4018754015030 |
| 23010019    | 50 IMP 19       | IMPACT socket 1/2 " 19mm L.40mm | 4018754015047 |
| 23010021    | 50 IMP 21       | IMPACT socket 1/2 " 21mm L.40mm | 4018754015061 |
| 23010022    | 50 IMP 22       | IMPACT socket 1/2 " 22mm L.42mm | 4018754015078 |
| 23010023    | 50 IMP 23       | IMPACT socket 1/2 " 23mm L.40mm | 4018754233755 |
| 23010024    | 50 IMP 24       | IMPACT socket 1/2 " 24mm L.44mm | 4018754015092 |
| 23010025    | 50 IMP 25       | IMPACT socket 1/2 " 25mm L.44mm | 4018754233762 |
| 23010027    | 50 IMP 27       | IMPACT socket 1/2 " 27mm L.45mm | 4018754015122 |
| 23010030    | 50 IMP 30       | IMPACT socket 1/2 " 30mm L.50mm | 4018754233779 |
| 23010032    | 50 IMP 32       | IMPACT socket 1/2 " 32mm L.50mm | 4018754233786 |

## GTIN-Code.



## Accessories.



39022030  
Connecting pin



39011940  
Rubber rings