



IMPACT sockets 1/2"

50D IMP

Product no. **23011032**
GTIN **4018754251551**
Model **50D IMP 32**



Label. IMPACT socket 1/2 " 32mm L.43mm

- Features.**
- with bi-hex
 - 1/2" internal square drive
 - Chrome Alloy Steel, gunmetal finish

Product highlights.



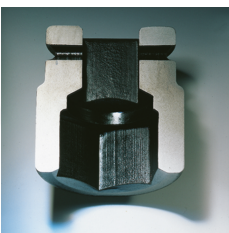
Powerful and resilient.

The sockets are made from high-quality Chrome Alloy Steel. They are hardened in oil to prevent stress and distortion.



Optimised functionality.

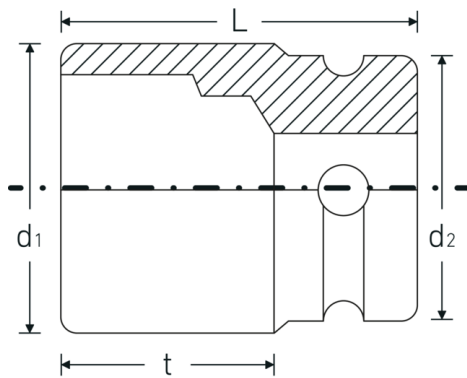
All IMPACT sockets have a through cross hole for the connecting pin and a deep groove for the rubber locking ring. The locking pin is not stressed during use.



High fitting accuracy.

The high fitting accuracy due to tight tolerances guarantees optimum, backlash-free transmission of forces to the socket.

Technical Drawing.



Technical Attributes.

Drive profile	bi-hex
Internal square drive (inch)	1/2 "
d1	50 mm
d2	30 mm
Length mm (L)	43 mm
Spanner size [mm]	32 mm

Logistics data.

Depth mm (IFS)	50
Width mm (IFS)	44
Height mm (IFS)	44
Length (packed, mm)	140
Width (packed, mm)	85
Height (packed, mm)	45
Volume (packed, dm3)	0.5355 dm3
Product no.	23011032
Weight (gross, kg)	1,257
Weight PAP (kg)	0,000
Weight PVC (kg)	0,000
GTIN	4018754251551
Country of origin AWR	TAIWAN, PROVINCE OF CHINA
Region of origin	Ausländischer Ursprung
WEEE/ElektroG	nicht ear-pflichtig
Customs tariff no.	82042000
Packing standard	5
Weight	251 g

Variants.

Product no.	Model no. (ERP)	Description	GTIN
23011032	50D IMP 32	IMPACT socket 1/2 " 32mm L.43mm	4018754251551
23011036	50D IMP 36	IMPACT socket 1/2 " 36mm L.50mm	4018754251568

GTIN-Code.



STAHLWILLE Eduard Wille GmbH & Co. KG

Lindenallee 27 · 42349 Wuppertal · Germany · Phone: +49 202 4791-0 · Fax: +49 202 4791-200
info@stahlwille.de · www.stahlwille.com · Copyright by STAHLWILLE Eduard Wille GmbH & Co. KG, Wuppertal
Copyright by STAHLWILLE Eduard Wille GmbH & Co. KG, Wuppertal