



Tool trolley 98 PRO

98/8 PRO

Product no.	81200173
GTIN	4018754334537
Model	98/8 B PRO

Label.

Tool trolley 98/8 PRO 8 Drawers 651 x 1001 x 1020 mm Blue, RAL 2703035

Features.

- **three-stage safety concept:**
 1. central locking with a cylinder lock and fold-down key
 2. individual locks prevent inadvertent opening in transit
 3. topple-proof – it is not possible to pull out more than one drawer at a time
- in comparison with the 93 and the TTS 95 PRO each drawer offers 100% more volume
- stainless steel handle with reinforced connection to body
- impact protection strips with wrap-around bumper
- wear and scratch-resistant worktop welded to be leak-proof and protective base strip made of stainless steel
- oil and acid resistant bearing-mounted wheels (#0; 125 mm) with carpet protection to prevent ingress of dirt and fibres into bearings, with two parking brakes
- holders for paper rolls and spray cans included
- 8 easily removable drawers (black RAL 9005) with full-extension runners and ball cage guides
- three standard colours, drawers RAL 9005 Jet Black
- perforations from both sides for Hooks No 8031-8041, e.g. for larger tools
- can be enhanced with STAHLWILLE Standard and TCS inserts

Advantages.

Maximum storage area thanks to width of 100 cm, 65 cm deep and drawer full extension.

Optionally 7 or 8 easily removable drawers.

High static load-bearing capacity up to 1,400 kg.

High quality, durable materials such as tightly welded stainless steel top tray.

Oil and acid-resistant low rolling resistance wheels (125 mm) with thread guard and two parking brakes.



Product highlights.



Simply more space.

With a width of more than 100 cm, a depth of 65 cm and a drawer full extension, our biggest tool trolley provides maximum storage space and room for your tools. In comparison to the 93 and 95 PRO models, the TTS 98 PRO provides 100% more drawer volume with premium quality.



Takes on anything.

High-quality materials such as the tightly welded stainless steel tray provide the durability that is typical of STAHLWILLE, and prevent liquids from penetrating the interior of the trolley. The working area of 740 x 570 mm is particularly suitable for working on large components. Thanks to its robust design, the 98 PRO achieves a static load-bearing capacity of 1,400 kg. The drawers can be loaded with up to 40 kg thanks to stiffening, and the bottom drawer can even be loaded with up to 60 kg.



Secure down to the last detail.

The drawers are centrally locked using a cylinder lock with a folding key. The single-drawer lock prevents unintentional opening while driving. In addition, only one drawer can always be opened at a time, ensuring reliable tipping protection.



Everything in its place.

The TTS 98 PRO can be supplemented with the STAHLWILLE TCS system. The TCS inserts protect the tools and keep things in order. The signal colour makes it immediately clear, if a tool is missing. The 3D depressions make quick and convenient removal possible.



Full configuration as standard.

Whether it is a roll of paper towels or spray can holder, all-round collision protection with impact damping, perforation on both sides for attaching accessories, parking brakes or oil and acid-resistant smooth-running wheels (Ø 125 mm) with thread guard. The 98 PRO comes with many features as standard.



High load capacity.

High static load capacity of up to 1400 kg. The bottom drawer has a load capacity of up to 60 kg!

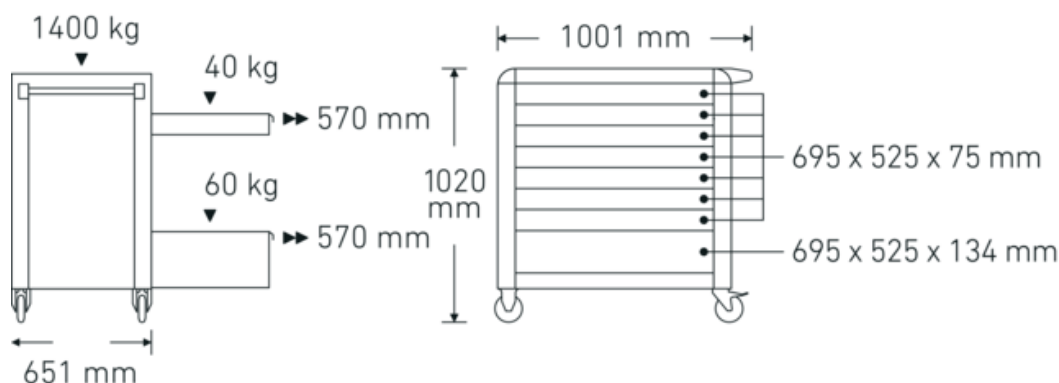
Technologies and features.



Tool Control System

The intelligent modular insert system protects and organises the tools in tool boxes, workshop trolleys and workshop benches. Two-colour foam inlays make checking the completeness of the tools quick and easy.

Technical Drawing.



Technical Attributes.

Number of drawers	8
Width mm (b)	1,001 mm
Colour	Blue, RAL 2703035
Colour abbreviation	RAL 270 30 35
Height mm (h)	1020 mm
Length mm (L)	651 mm
Model no.	98/8 B PRO
Internal drawer dimensions mm	525 x 695 x 75 mm (7x) 525 x 695 x 134 mm (1x)
Drawer load capacity	40 kg 60 kg
Load capacity	1,400 kg

Logistics data.

Depth mm (IFS)	890
Width mm (IFS)	650
Height mm (IFS)	865
Length (packed, mm)	987
Width (packed, mm)	745
Height (packed, mm)	925
Volume (packed, dm ³)	680.166375 dm ³
Product no.	81200173
Weight (gross, kg)	123,000
Weight PAP (kg)	9,500
Weight PVC (kg)	0,000
GTIN	4018754334537
Country of origin AWR	CHINA

Region of origin	Ausländischer Ursprung
WEEE/ElektroG	nicht ear-pflichtig
Customs tariff no.	94032080
Packing standard	1
Weight	114000 g

Variants.

Product no.	Model no. (ERP)	Description	GTIN
81200172	98/8 A PRO	Tool trolley 98/8 PRO 8 Drawers 651 x 1001 x 1020 mm anthracite, RAL 7016; black, RAL 9008	4018754334520
81200173	98/8 B PRO	Tool trolley 98/8 PRO 8 Drawers 651 x 1001 x 1020 mm Blue, RAL 2703035	4018754334537
81200174	98/8 R PRO	Tool trolley 98/8 PRO 8 Drawers 651 x 1001 x 1020 mm red, RAL 3020; black RAL 9005	4018754334544

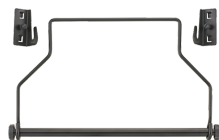
GTIN-Code.



Accessories.



90432727
Spray-can holder



81483004
Paper roll holder



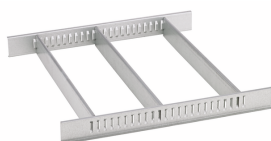
89010040
Cable holder



83812070
Empty tray for small components



81484001
Drawer separator



81484002
Drawer divider

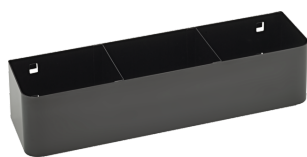


89011053
Waste bin



89010042
Laptop holder adaptor

Spare parts/spare part for.



90432719

Spray-can holder

Images.



STAHLWILLE Eduard Wille GmbH & Co. KG

Lindenallee 27 · 42349 Wuppertal · Germany · Phone: +49 202 4791-0 · Fax: +49 202 4791-200

info@stahlwille.de · www.stahlwille.com · Copyright by STAHLWILLE Eduard Wille GmbH & Co. KG, Wuppertal

Copyright by STAHLWILLE Eduard Wille GmbH & Co. KG, Wuppertal