

Adaptor inch

447a



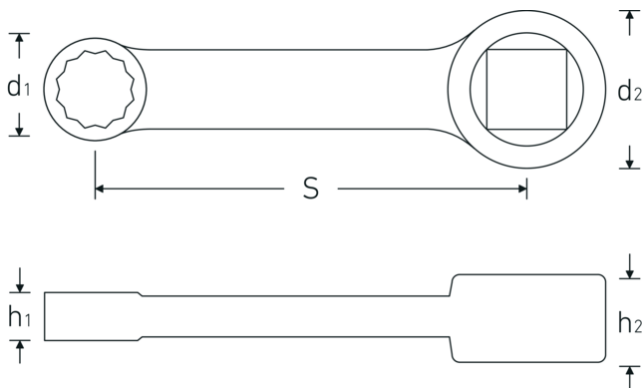
Product no. **02470016**
GTIN **4018754136377**
Model **447A 1/4**



Label.

Adapters 1/4" Internal square 3/8"

Technical Drawing.



Technical Attributes.

| | |
|------------------------|---------|
| Internal square [inch] | 3/8 " |
| d1 | 10,4 mm |
| d2 | 19 mm |
| Height mm (h1) | 6 mm |
| Height mm (h2) | 11 mm |
| S | 50,8 mm |
| Wrench size [inch] | 1/4 " |

Logistics data.

| | |
|-----------------------------------|--------------------------|
| Depth mm (IFS) | 61 |
| Width mm (IFS) | 15 |
| Height mm (IFS) | 7 |
| Length (packed, mm) | 71 |
| Width (packed, mm) | 25 |
| Height (packed, mm) | 9 |
| Volume (packed, dm ³) | 0.015975 dm ³ |
| Product no. | 02470016 |
| Weight (gross, kg) | 0,031 |

| | |
|---------------------------|---------------------|
| Weight PAP (kg) | 0,000 |
| Weight PVC (kg) | 0,002 |
| GTIN | 4018754136377 |
| Country of origin | GERMANY |
| Region of origin | Nordrhein-Westfalen |
| WEEE/ElektroG | nicht ear-pflichtig |
| Customs tariff no. | 82042000 |
| Packing standard | 1 |
| Weight | 27 g |

Variants.

| Product no. | Model no. (ERP) | Description | GTIN |
|-------------|-----------------|-------------------------------------|---------------|
| 02470016 | 447A 1/4 | Adapters 1/4" Internal square 3/8" | 4018754136377 |
| 02470020 | 447A 5/16 | Adapters 5/16" Internal square 3/8" | 4018754136384 |
| 02470024 | 447A 3/8 | Adapters 3/8" Internal square 3/8" | 4018754136391 |
| 02470028 | 447A 7/16 | Adapters 7/16" Internal square 3/8" | 4018754136407 |
| 02470032 | 447A 1/2 | Adapters 1/2" Internal square 3/8" | 4018754136414 |
| 02470034 | 447A 9/16 | Adapters 9/16" Internal square 3/8" | 4018754136421 |
| 02470036 | 447A 5/8 | Adapters 5/8" Internal square 3/8" | 4018754136438 |

GTIN-Code.

