

UNIFLEX sockets

402



Product no. 01140009
GTIN 4018754000692
Model 402 9



Label. 1/4 " UNIFLEX sockets Spanner size 9mm L.36mm

Features. • HPQ® heavy-duty steel, chrome-plated

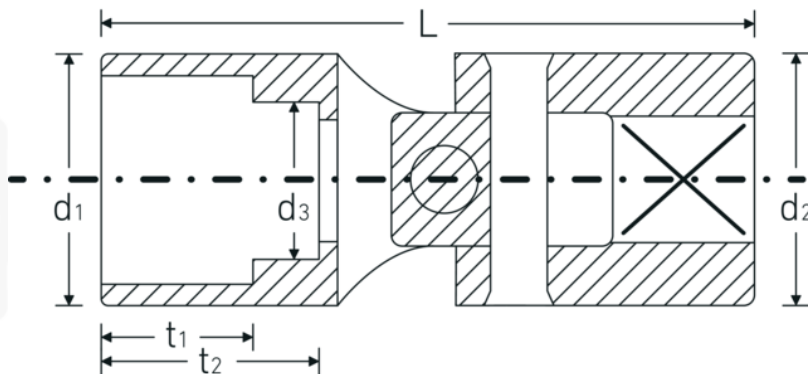
Technologies and features.



High Performance Quality (HPQ®)

Our HPQ® tool is made of wear-resistant high-performance steel, yet is thin-walled and lightweight. It withstands high torques and is ideal for work in confined spaces such as turbines.

Technical Drawing.



Technical Attributes.

Drive profile	bi-hex AS-Drive®
Internal square drive (inch)	1/4 "
d1	13 mm
d2	12,7 mm
d3	8 mm
Length mm (L)	36 mm
Width across flats [mm]	9 mm
t1	8 mm
t2	12 mm

Logistics data.

Depth mm (IFS)	35
Width mm (IFS)	13
Height mm (IFS)	13
Length (packed, mm)	65
Width (packed, mm)	35
Height (packed, mm)	13
Volume (packed, dm3)	0.029575 dm3
Art. no.	01140009
Weight (gross, kg)	0,100
Weight PAP (kg)	0,000
Weight PVC (kg)	0,002
GTIN	4018754000692
Country of origin	GERMANY
Region of origin	Nordrhein-Westfalen
WEEE/ElektroG	nicht ear-pflichtig
Customs tariff no.	82042000
Packing standard	5
Weight	20 g

Variants.

Art. no.	Model no. (ERP)	Description	GTIN
01140006	402 6	1/4 " UNIFLEX sockets Spanner size 6mm L.32mm	4018754140978
01140007	402 7	1/4 " UNIFLEX sockets Spanner size 7mm L.33,5mm	4018754000678
01140008	402 8	1/4 " UNIFLEX sockets Spanner size 8mm L.35mm	4018754000685
01140009	402 9	1/4 " UNIFLEX sockets Spanner size 9mm L.36mm	4018754000692
01140010	402 10	1/4 " UNIFLEX sockets Spanner size 10mm L.38mm	4018754000708

GTIN-Code.



STAHLWILLE Eduard Wille GmbH & Co. KG

Lindenallee 27 · 42349 Wuppertal · Germany · Phone: +49 202 4791-0 · Fax: +49 202 4791-200
info@stahlwille.de · www.stahlwille.com · Copyright by STAHLWILLE Eduard Wille GmbH & Co. KG, Wuppertal
Copyright by STAHLWILLE Eduard Wille GmbH & Co. KG, Wuppertal