

Sockets 3/8", inch

460a

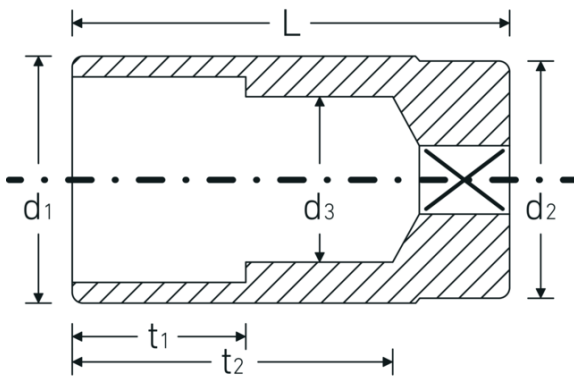


Product no. **02620020**
GTIN **4018754005093**
Model **460 A 5/16**



Label. 3/8 " Socket Wrench size 5/16" L.32mm

Technical Drawing.



Technical Attributes.

Drive profile	bi-hex AS-Drive®
Internal square drive (inch)	3/8 "
d1	11,5 mm
d2	16,5 mm
d3	7 mm
Length mm (L)	32 mm
Wrench size [inch]	5/16 "
t1	8,5 mm
t2	20,5 mm

Logistics data.

Depth mm (IFS)	33
Width mm (IFS)	17
Height mm (IFS)	17
Length (packed, mm)	80
Width (packed, mm)	50
Height (packed, mm)	17
Volume (packed, dm ³)	0.068 dm ³
Product no.	02620020
Weight (gross, kg)	0,110

Weight PAP (kg)	0,000
Weight PVC (kg)	0,003
GTIN	4018754005093
Country of origin	GERMANY
Region of origin	Nordrhein-Westfalen
WEEE/ElektroG	nicht ear-pflichtig
Customs tariff no.	82042000
Packing standard	5
Weight	22 g

Variants.

Product no.	Model no. (ERP)	Description	GTIN
02620016	460 A 1/4	3/8 " Socket Wrench size 1/4" L.32mm	4018754005086
02620020	460 A 5/16	3/8 " Socket Wrench size 5/16" L.32mm	4018754005093
02620024	460 A 3/8	3/8 " Socket Wrench size 3/8" L.38mm	4018754005109
02620028	460 A 7/16	3/8 " Socket Wrench size 7/16" L.38mm	4018754005116
02620032	460 A 1/2	3/8 " Socket Wrench size 1/2" L.44mm	4018754005123

GTIN-Code.

