

Flex sockets 1/4", inch

402a



Product no. 01540014
GTIN 4018754173570
Model 402 A 7/32



Label. 1/4 " Flex socket Wrench size 7/32" L.32mm

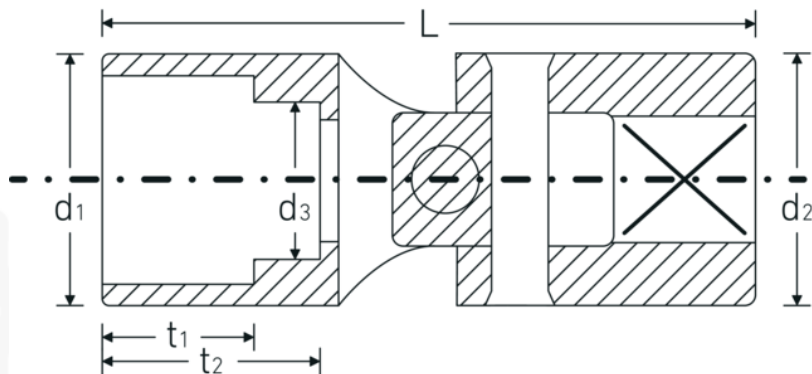
Technologies and features.



High Performance Quality (HPQ®)

Our HPQ® tool is made of wear-resistant high-performance steel, yet is thin-walled and lightweight. It withstands high torques and is ideal for work in confined spaces such as turbines.

Technical Drawing.



Technical Attributes.

Drive profile	bi-hex AS-Drive®
Internal square drive (inch)	1/4 "
d1	8,6 mm
d2	12,7 mm
d3	4,8 mm
Length mm (L)	32 mm
Wrench size [inch]	7/32 "
t1	5,5 mm
t2	10 mm

Logistics data.

Depth mm (IFS)	32
Width mm (IFS)	12
Height mm (IFS)	12
Length (packed, mm)	95
Width (packed, mm)	13
Height (packed, mm)	13
Volume (packed, dm3)	0.016055 dm3
Product no.	01540014
Weight (gross, kg)	0,090
Weight PAP (kg)	0,000
Weight PVC (kg)	0,002
GTIN	4018754173570
Country of origin	GERMANY
Region of origin	Nordrhein-Westfalen
WEEE/ElektroG	nicht ear-pflichtig
Customs tariff no.	82042000
Packing standard	5
Weight	17 g

Variants.

Product no.	Model no. (ERP)	Description	GTIN
01540014	402 A 7/32	1/4 " Flex socket Wrench size 7/32" L.32mm	4018754173570
01540016	402 A 1/4	1/4 " Flex socket Wrench size 1/4" L.32mm	4018754001590
01540018	402 A 9/32	1/4 " Flex socket Wrench size 9/32" L.32mm	4018754173587
01540020	402 A 5/16	1/4 " Flex socket Wrench size 5/16" L.35mm	4018754001606
01540022	402 A 11/32	1/4 " Flex socket Wrench size 11/32" L.35mm	4018754173594
01540024	402 A 3/8	1/4 " Flex socket Wrench size 3/8" L.38mm	4018754001613
01540028	402 A 7/16	1/4 " Flex socket Wrench size 7/16" L.39,5mm	4018754001620
01540032	402 A 1/2	1/4 " Flex socket Wrench size 1/2" L.41,5mm	4018754001637

GTIN-Code.

