



Adapter

447a



Product no. 02470034
GTIN 4018754136421
Model 447A 9/16



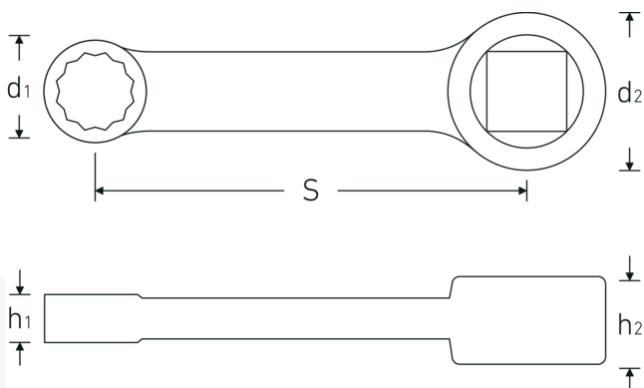
Label. Adapter 9/16" Internal square 3/8"

- Features.**
- SAE AS 954-E
 - HPQ® heavy-duty steel, gun metal finish
 - Please note: Changed setting values on the torque wrench

Advantages.

SAE AS 954-E.

Technical Drawing.



Technical Attributes.

Internal square [inch] 3/8 "

Logistics data.

Depth mm (IFS) 70

d1	21 mm	Width mm (IFS)	20
d2	19 mm	Height mm (IFS)	10
Height mm (h1)	9,2 mm	Length (packed, mm)	70
Height mm (h2)	11 mm	Width (packed, mm)	20
S	50,8 mm	Height (packed, mm)	10
Spanner size [inch]	9/16 "	Volume (packed, dm3)	0.014 dm3
		Art. no.	02470034
		Weight (gross, kg)	0,061
		Weight PAP (kg)	0,000
		Weight PVC (kg)	0,002
		GTIN	4018754136421
		Country of origin	GERMANY
		Region of origin	Nordrhein-Westfalen
		WEEE/ElektroG	nicht ear-pflichtig
		Customs tariff no.	82042000
		Packing standard	1
		Weight	61 g

Variants.

Art. no.	Model no. (ERP)	Description	GTIN
02470016	447A 1/4	Adapter 1/4" Internal square 3/8"	4018754136377
02470020	447A 5/16	Adapter 5/16" Internal square 3/8"	4018754136384
02470024	447A 3/8	Adapter 3/8" Internal square 3/8"	4018754136391
02470028	447A 7/16	Adapter 7/16" Internal square 3/8"	4018754136407
02470032	447A 1/2	Adapter 1/2" Internal square 3/8"	4018754136414
02470034	447A 9/16	Adapter 9/16" Internal square 3/8"	4018754136421
02470036	447A 5/8	Adapter 5/8" Internal square 3/8"	4018754136438

GTIN-Code.





STAHLWILLE Eduard Wille GmbH & Co. KG

Lindenallee 27 · 42349 Wuppertal · Germany · Phone: +49 202 4791-0 · Fax: +49 202 4791-200
info@stahlwille.de · www.stahlwille.com · Copyright by STAHLWILLE Eduard Wille GmbH & Co. KG, Wuppertal
Copyright by STAHLWILLE Eduard Wille GmbH & Co. KG, Wuppertal