



## Self grip wrench

6564



Product no. **65642145**  
GTIN **4018754142200**  
Model **6564 Gripzange 145mm**

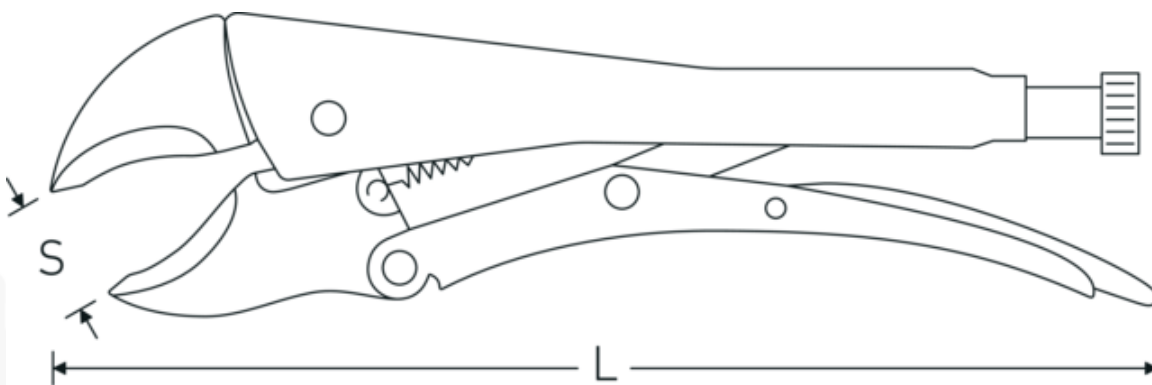
**Label.** Self grip wrench L.145mm Head bright nickel-plated Handles glossy nickel-plated

- Features.**
- With forged, half-round jaws
  - With quick release levers and wire cutters
  - Chromium vanadium

## Advantages.

With forged, half-round jaws.

## Technical Drawing.



## Technical Attributes.

Handles glossy nickel-plated

## Logistics data.

Depth mm (IFS) 145

<b>Head</b>	bright nickel-plated	<b>Width mm (IFS)</b>	45
<b>Length mm (L)</b>	145 mm	<b>Height mm (IFS)</b>	13
<b>S</b>	14 mm	<b>Length (packed, mm)</b>	145
		<b>Width (packed, mm)</b>	45
		<b>Height (packed, mm)</b>	13
		<b>Volume (packed, dm3)</b>	0.084825 dm3
		<b>Art. no.</b>	65642145
		<b>Weight (gross, kg)</b>	0,175
		<b>Weight PAP (kg)</b>	0,000
		<b>Weight PVC (kg)</b>	0,002
		<b>GTIN</b>	4018754142200
		<b>Country of origin</b>	GERMANY
		<b>Region of origin</b>	Nordrhein-Westfalen
		<b>WEEE/ElektroG</b>	nicht ear-pflichtig
		<b>Customs tariff no.</b>	82032000
		<b>Packing standard</b>	1
		<b>Weight</b>	175 g

## Variants.

Art. no.	Model no. (ERP)	Description	GTIN
65642145	6564 Gripzange 145mm	Self grip wrench L.145mm Head bright nickel-plated Handles glossy nickel-plated	4018754142200
65642175	6564 Gripzange 175mm	Self grip wrench L.175mm Head bright nickel-plated Handles glossy nickel-plated	4018754038138
65642250	6564 Gripzange 250mm	Self grip wrench L.250mm Head bright nickel-plated Handles glossy nickel-plated	4018754038145
65642300	6564 Gripzange 300mm	Self grip wrench L.300mm Head bright nickel-plated Handles glossy nickel-plated	4018754038152

## GTIN-Code.





**STAHLWILLE Eduard Wille GmbH & Co. KG**

Lindenallee 27 · 42349 Wuppertal · Germany · Phone: +49 202 4791-0 · Fax: +49 202 4791-200  
info@stahlwille.de · www.stahlwille.com · Copyright by STAHLWILLE Eduard Wille GmbH & Co. KG, Wuppertal  
Copyright by STAHLWILLE Eduard Wille GmbH & Co. KG, Wuppertal