

Top cutter, heavy duty standard bevel

6618



Product no. **66186160**
GTIN **4018754206643**
Model **6618 6 160 KRAFT-
VORNSCHNEIDER POLIERT
160 MM**

Label.

Top cutter, heavy duty standard bevel L.160mm Head polished Handles dip-coated with sure-grip surface

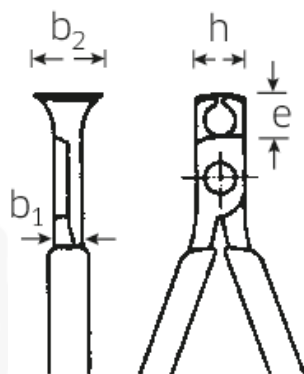
Features.

- DIN ISO 5748
- precision cutting edges for all wires, incl. piano wire
- alloy steel of highest quality
- induction hardened bevelled cutting edges, approx. 63 HRC

Advantages.

DIN ISO 5748

Technical Drawing.



Technical Attributes.

Jaw length mm (b)	17 mm
Width mm (b)	48 mm
DIN	DIN ISO 5748
Handles	dip-coated with sure-grip surface
Height mm (h)	26 mm
Hard wire (3)	2,5 mm
Head	polished
Head thickness mm (T2)	11.5 mm
Length mm (L)	160 mm
Medium-hard wire (2)	3 mm
Piano wire (4)	2 mm
Tip width mm (f)	26 mm
Cutting edge length mm (g)	24 mm
Soft wire (1)	3,8 mm

Logistics data.

Depth mm (IFS)	160
Width mm (IFS)	48
Height mm (IFS)	23
Length (packed, mm)	230
Width (packed, mm)	100
Height (packed, mm)	24
Volume (packed, dm3)	0.552 dm3
Art. no.	66186160
Weight (gross, kg)	0,215
Weight PAP (kg)	0,000
Weight PVC (kg)	0,004
GTIN	4018754206643
Country of origin	GERMANY
Region of origin	Thüringen
WEEE/ElektroG	nicht ear-pflichtig
Customs tariff no.	82032000
Packing standard	1
Weight	211 g

Variants.

Art. no.	Model no. (ERP)	Description	GTIN
66186160	6618 6 160 KRAFT- VORNSCHNEIDER POLIERT 160 MM	Top cutter, heavy duty standard bevel L.160mm Head polished Handles dip- coated with sure-grip surface	4018754206643

GTIN-Code.





STAHLWILLE Eduard Wille GmbH & Co. KG

Lindenallee 27 · 42349 Wuppertal · Germany · Phone: +49 202 4791-0 · Fax: +49 202 4791-200
info@stahlwille.de · www.stahlwille.com · Copyright by STAHLWILLE Eduard Wille GmbH & Co. KG, Wuppertal
Copyright by STAHLWILLE Eduard Wille GmbH & Co. KG, Wuppertal