



## Socket

460a



Product no. **02620028**  
GTIN **4018754005116**  
Model **460 A 7/16**



**Label.** 3/8 " Socket Spanner size 7/16" L.38mm

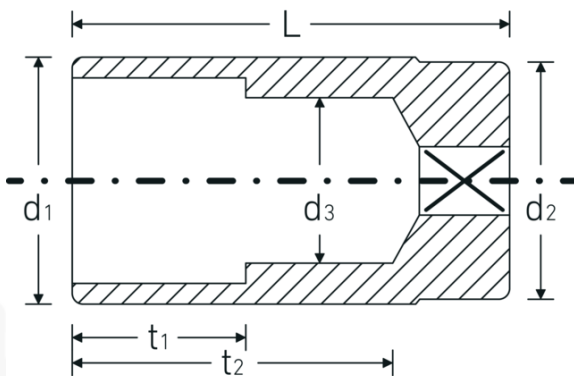
**Features.**

- SAE AS 954-E, S.B.A.C. AS 40610/40611, ASME B 107.1
- HPQ® heavy-duty steel, chrome-plated

## Advantages.

SAE AS 954-E, S.B.A.C. AS 40610/40611, ASME B 107.1.

## Technical Drawing.



## Technical Attributes.

Drive profile bi-hex AS-Drive®  
Internal square drive (inch) 3/8 "

## Logistics data.

Depth mm (IFS) 38  
Width mm (IFS) 17

d1	15,7 mm	Height mm (IFS)	17
d2	16,5 mm	Length (packed, mm)	90
d3	10 mm	Width (packed, mm)	50
Length mm (L)	38 mm	Height (packed, mm)	17
Spanner size [inch]	7/16 "	Volume (packed, dm3)	0.0765 dm3
t1	11 mm	Art. no.	02620028
t2	24,5 mm	Weight (gross, kg)	0,165
		Weight PAP (kg)	0,000
		Weight PVC (kg)	0,005
		GTIN	4018754005116
		Country of origin	GERMANY
		Region of origin	Nordrhein-Westfalen
		WEEE/ElektroG	nicht ear-pflichtig
		Customs tariff no.	82042000
		Packing standard	5
		Weight	33 g

## Variants.

Art. no.	Model no. (ERP)	Description	GTIN
02620016	460 A 1/4	3/8 " Socket Spanner size 1/4" L.32mm	4018754005086
02620020	460 A 5/16	3/8 " Socket Spanner size 5/16" L.32mm	4018754005093
02620024	460 A 3/8	3/8 " Socket Spanner size 3/8" L.38mm	4018754005109
02620028	460 A 7/16	3/8 " Socket Spanner size 7/16" L.38mm	4018754005116
02620032	460 A 1/2	3/8 " Socket Spanner size 1/2" L.44mm	4018754005123

## GTIN-Code.



### STAHLWILLE Eduard Wille GmbH & Co. KG

Lindenallee 27 · 42349 Wuppertal · Germany · Phone: +49 202 4791-0 · Fax: +49 202 4791-200  
 info@stahlwille.de · www.stahlwille.com · Copyright by STAHLWILLE Eduard Wille GmbH & Co. KG, Wuppertal  
 Copyright by STAHLWILLE Eduard Wille GmbH & Co. KG, Wuppertal