



## Adaptor metric

447



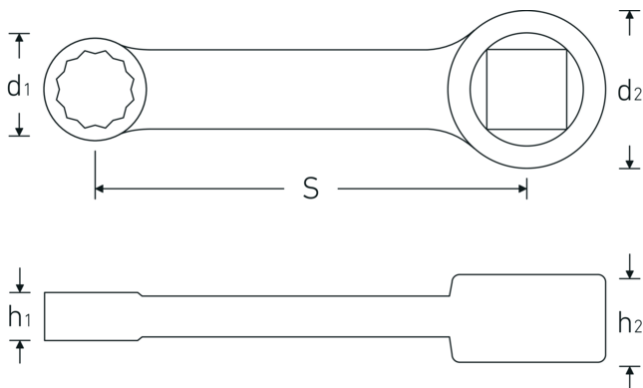
Product no. **02181007**  
GTIN **4018754139125**  
Model **447 7**



Label.

Adaptors 7mm Internal square 3/8"

## Technical Drawing.



## Technical Attributes.

Internal square [inch]	3/8 "
d1	11,5 mm
d2	19 mm
Height mm (h1)	6 mm
Height mm (h2)	11 mm
S	50,8 mm
Width across flats [mm]	7 mm

## Logistics data.

Depth mm (IFS)	65
Width mm (IFS)	18
Height mm (IFS)	10
Length (packed, mm)	110
Width (packed, mm)	30
Height (packed, mm)	15
Volume (packed, dm3)	0.0495 dm3
Product no.	02181007
Weight (gross, kg)	0,035

<b>Weight PAP (kg)</b>	0,000
<b>Weight PVC (kg)</b>	0,002
<b>GTIN</b>	4018754139125
<b>Country of origin</b>	GERMANY
<b>Region of origin</b>	Nordrhein-Westfalen
<b>WEEE/ElektroG</b>	nicht ear-pflichtig
<b>Customs tariff no.</b>	82042000
<b>Packing standard</b>	1
<b>Weight</b>	30 g

## Variants.

Product no.	Model no. (ERP)	Description	GTIN
02181007	447 7	Adapters 7mm Internal square 3/8"	4018754139125
02181008	447 8	Adapters 8mm Internal square 3/8"	4018754139132
02181009	447 9	Adapters 9mm Internal square 3/8"	4018754140992
02181010	447 10	Adapters 10mm Internal square 3/8"	4018754141005
02181013	447 13	Adapters 13mm Internal square 3/8"	4018754141012

## GTIN-Code.

