

## Adapter

**447**



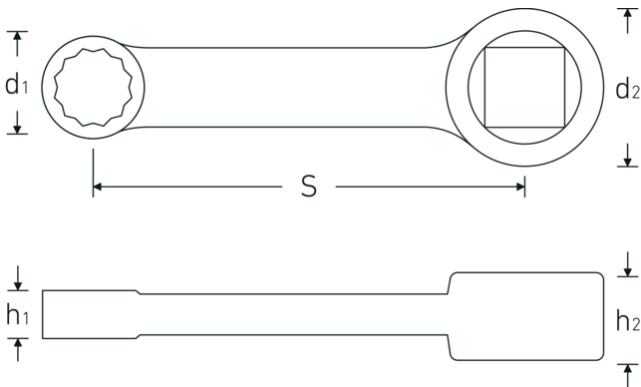
Product no. **02181010**  
GTIN **4018754141005**  
Model **447 10**



**Label.** Adapter 10mm Internal square 3/8"

- Features.**
- HPQ® heavy-duty steel, gun metal finish
  - Please note: Changed setting values on the torque wrench

## Technical Drawing.



## Technical Attributes.

Internal square [inch]	3/8 "
d1	15,6 mm
d2	19 mm
Height mm (h1)	8 mm
Height mm (h2)	11 mm
S	50,8 mm
Width across flats [mm]	10 mm

## Logistics data.

Depth mm (IFS)	68
Width mm (IFS)	19
Height mm (IFS)	11
Length (packed, mm)	105
Width (packed, mm)	25
Height (packed, mm)	12
Volume (packed, dm <sup>3</sup> )	0.0315 dm <sup>3</sup>

<b>Art. no.</b>	02181010
<b>Weight (gross, kg)</b>	0,045
<b>Weight PAP (kg)</b>	0,000
<b>Weight PVC (kg)</b>	0,002
<b>GTIN</b>	4018754141005
<b>Country of origin</b>	GERMANY
<b>Region of origin</b>	Nordrhein-Westfalen
<b>WEEE/ElektroG</b>	nicht ear-pflichtig
<b>Customs tariff no.</b>	82042000
<b>Packing standard</b>	1
<b>Weight</b>	40 g

## Variants.

Art. no.	Model no. (ERP)	Description	GTIN
02181007	447 7	Adapter 7mm Internal square 3/8"	4018754139125
02181008	447 8	Adapter 8mm Internal square 3/8"	4018754139132
02181009	447 9	Adapter 9mm Internal square 3/8"	4018754140992
02181010	447 10	Adapter 10mm Internal square 3/8"	4018754141005
02181013	447 13	Adapter 13mm Internal square 3/8"	4018754141012

## GTIN-Code.



### STAHLWILLE Eduard Wille GmbH & Co. KG

Lindenallee 27 · 42349 Wuppertal · Germany · Phone: +49 202 4791-0 · Fax: +49 202 4791-200  
 info@stahlwille.de · www.stahlwille.com · Copyright by STAHLWILLE Eduard Wille GmbH & Co. KG, Wuppertal  
 Copyright by STAHLWILLE Eduard Wille GmbH & Co. KG, Wuppertal