



VDE snipe nose plier w.cutter (radio- or telephone pliers)

6530 VDE



Product no. **65307160**
GTIN **4018754137787**
Model **6530 7 160**
**FLACHRUNDZANGE MIT
SCHNEIDE VDE 160 MM**



Label.

VDE snipe nose plier w.cutter (radio- or telephone pliers) L.160mm Head Chrome-plated Handles Immersion-insulated DIN EN 60900, #T; AC/1000 V

Features.

- DIN ISO 5745
- Form B, bent 45°
- half round, long tapering, serrated jaws
- with burner hole
- precision cutting edges for soft and hard wires
- induction hardened cutting edges, approx. 60 HRC

Advantages.

DIN ISO 5745

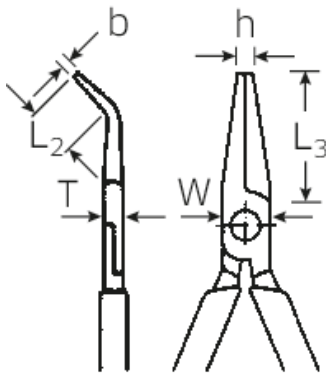
Product highlights.



Safe.

The anti-slip protection prevents your hands slipping off towards the jaws.

Technical Drawing.



Technical Attributes.

Jaw length mm (b)	55 mm
Width mm (b)	2,5 mm
DIN	DIN ISO 5745
Handles	Immersion-insulated DIN EN 60900, #T; AC/ 1000 V
Height mm (h)	3 mm
Head	Chrome-plated
Head width mm (a)	16 mm
Head thickness mm (T2)	9 mm
L2	24 mm
Length mm (L)	160 mm
Tip width mm (f)	3 mm
Tip thickness mm (T1)	2.5 mm

Logistics data.

Depth mm (IFS)	165
Width mm (IFS)	61
Height mm (IFS)	32
Length (packed, mm)	175
Width (packed, mm)	65
Height (packed, mm)	32
Volume (packed, dm3)	0.364 dm3
Art. no.	65307160
Weight (gross, kg)	0,209
Weight PAP (kg)	0,000
Weight PVC (kg)	0,005
GTIN	4018754137787
Country of origin	GERMANY
Region of origin	Thüringen
WEEE/ElektroG	nicht ear-pflichtig
Customs tariff no.	82032000
Packing standard	1
Weight	185 g

Variants.

Art. no.	Model no. (ERP)	Description	GTIN
65307160	6530 7 160 FLACHRUNTZANGE MIT SCHNEIDE VDE 160 MM	VDE snipe nose plier w.cutter (radio- or telephone pliers) L.160mm Head Chrome-plated Handles Immersion- insulated DIN EN 60900, #T; AC/1000 V	4018754137787

65307200

6530 7 200
FLACHRUNDZANGE
MIT SCHNEIDE VDE
200 MM

VDE snipe nose plier w.cutter (radio- or
telephone pliers) L.200mm Head
Chrome-plated Handles Immersion-
insulated DIN EN 60900, #T; AC/1000 V

4018754037186

GTIN-Code.



4 018754 137787

STAHLWILLE Eduard Wille GmbH & Co. KG

Lindenallee 27 · 42349 Wuppertal · Germany · Phone: +49 202 4791-0 · Fax: +49 202 4791-200
info@stahlwille.de · www.stahlwille.com · Copyright by STAHLWILLE Eduard Wille GmbH & Co. KG, Wuppertal
Copyright by STAHLWILLE Eduard Wille GmbH & Co. KG, Wuppertal