



Adapter

447



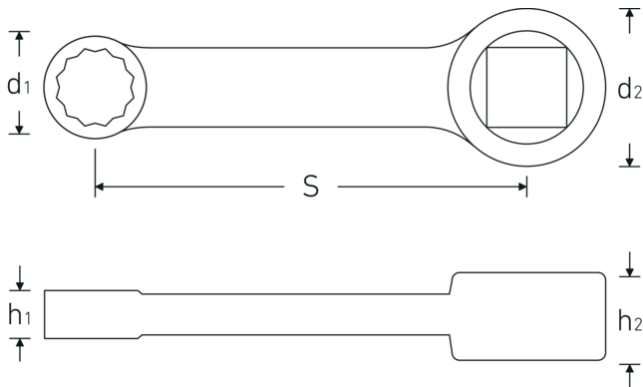
Product no. **02181007**
GTIN **4018754139125**
Model **447 7**



Label. Adapter 7mm Internal square 3/8"

- Features.**
- HPQ® heavy-duty steel, gun metal finish
 - Please note: Changed setting values on the torque wrench

Technical Drawing.



Technical Attributes.

| | |
|-------------------------|---------|
| Internal square [inch] | 3/8 " |
| d1 | 11,5 mm |
| d2 | 19 mm |
| Height mm (h1) | 6 mm |
| Height mm (h2) | 11 mm |
| S | 50,8 mm |
| Width across flats [mm] | 7 mm |

Logistics data.

| | |
|----------------------|------------|
| Depth mm (IFS) | 65 |
| Width mm (IFS) | 18 |
| Height mm (IFS) | 10 |
| Length (packed, mm) | 110 |
| Width (packed, mm) | 30 |
| Height (packed, mm) | 15 |
| Volume (packed, dm3) | 0.0495 dm3 |

| | |
|---------------------------|---------------------|
| Art. no. | 02181007 |
| Weight (gross, kg) | 0,035 |
| Weight PAP (kg) | 0,000 |
| Weight PVC (kg) | 0,002 |
| GTIN | 4018754139125 |
| Country of origin | GERMANY |
| Region of origin | Nordrhein-Westfalen |
| WEEE/ElektroG | nicht ear-pflichtig |
| Customs tariff no. | 82042000 |
| Packing standard | 1 |
| Weight | 30 g |

Variants.

| Art. no. | Model no. (ERP) | Description | GTIN |
|----------|-----------------|-----------------------------------|---------------|
| 02181007 | 447 7 | Adapter 7mm Internal square 3/8" | 4018754139125 |
| 02181008 | 447 8 | Adapter 8mm Internal square 3/8" | 4018754139132 |
| 02181009 | 447 9 | Adapter 9mm Internal square 3/8" | 4018754140992 |
| 02181010 | 447 10 | Adapter 10mm Internal square 3/8" | 4018754141005 |
| 02181013 | 447 13 | Adapter 13mm Internal square 3/8" | 4018754141012 |

GTIN-Code.



STAHLWILLE Eduard Wille GmbH & Co. KG

Lindenallee 27 · 42349 Wuppertal · Germany · Phone: +49 202 4791-0 · Fax: +49 202 4791-200
info@stahlwille.de · www.stahlwille.com · Copyright by STAHLWILLE Eduard Wille GmbH & Co. KG, Wuppertal
Copyright by STAHLWILLE Eduard Wille GmbH & Co. KG, Wuppertal