



## VDE flat nose round pliers w.cutter

### 6530 VDE



Product no. **65307160**  
GTIN **4018754137787**  
Model **6530 7 160**  
**FLACHRUNDZANGE MIT  
SCHNEIDE VDE 160 MM**



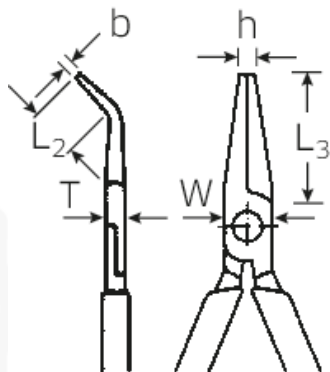
#### Label.

VDE flat nose pliers w.cutter L.160mm Head chrome-plated Handles dip-coated insulation DIN EN 60900, #T; AC/1000 V

#### Product highlights.



#### Technical Drawing.



## Technical Attributes.

Jaw length mm (b)	55 mm
Width mm (b)	2,5 mm
DIN	DIN ISO 5745
Handles	dip-coated insulation DIN EN 60900, #T; AC/ 1000 V
Height mm (h)	3 mm
Head	chrome-plated
Head width mm (a)	16 mm
Head thickness mm (T2)	9 mm
L2	24 mm
Length mm (L)	160 mm
Tip width mm (f)	3 mm
Tip thickness mm (T1)	2.5 mm

## Logistics data.

Depth mm (IFS)	165
Width mm (IFS)	61
Height mm (IFS)	32
Length (packed, mm)	175
Width (packed, mm)	65
Height (packed, mm)	32
Volume (packed, dm3)	0.364 dm3
Product no.	65307160
Weight (gross, kg)	0,209
Weight PAP (kg)	0,000
Weight PVC (kg)	0,005
GTIN	4018754137787
Country of origin	GERMANY
Region of origin	Thüringen
WEEE/ElektroG	nicht ear-pflichtig
Customs tariff no.	82032000
Packing standard	1
Weight	185 g

## Variants.

Product no.	Model no. (ERP)	Description	GTIN
65307160	6530 7 160 FLACHRUNDZANGE MIT SCHNEIDE VDE 160 MM	VDE flat nose pliers w.cutter L.160mm Head chrome-plated Handles dip- coated insulation DIN EN 60900, #T; AC/1000 V	4018754137787
65307200	6530 7 200 FLACHRUNDZANGE MIT SCHNEIDE VDE 200 MM	VDE flat nose pliers w.cutter L.200mm Head chrome-plated Handles dip- coated insulation DIN EN 60900, #T; AC/1000 V	4018754037186

## GTIN-Code.



