



## Flex sockets 3/8", inch

47a



Product no. 02440020  
GTIN 4018754173617  
Model 47 A 5/16



Label. 3/8 " Flex socket Wrench size 5/16" L.45,5mm

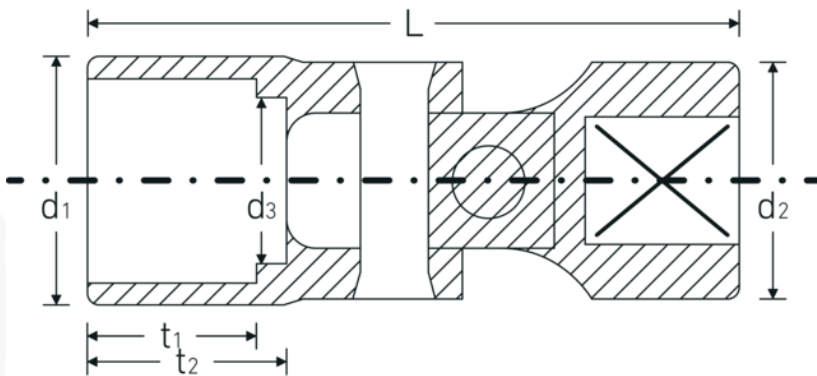
## Technologies and features.



### High Performance Quality (HPQ®)

Our HPQ® tool is made of wear-resistant high-performance steel, yet is thin-walled and lightweight. It withstands high torques and is ideal for work in confined spaces such as turbines.

## Technical Drawing.



## Technical Attributes.

<b>Drive profile</b>	bi-hex AS-Drive®
<b>Internal square drive (inch)</b>	3/8 "
<b>d1</b>	11,7 mm
<b>d2</b>	17,5 mm
<b>d3</b>	7 mm
<b>Length mm (L)</b>	45,5 mm
<b>Wrench size [inch]</b>	5/16 "
<b>t1</b>	7 mm
<b>t2</b>	12,5 mm

## Logistics data.

<b>Depth mm (IFS)</b>	45
<b>Width mm (IFS)</b>	17
<b>Height mm (IFS)</b>	17
<b>Length (packed, mm)</b>	50
<b>Width (packed, mm)</b>	20
<b>Height (packed, mm)</b>	20
<b>Volume (packed, dm3)</b>	0.02 dm3
<b>Product no.</b>	02440020
<b>Weight (gross, kg)</b>	0,050
<b>Weight PAP (kg)</b>	0,000
<b>Weight PVC (kg)</b>	0,002
<b>GTIN</b>	4018754173617
<b>Country of origin</b>	GERMANY
<b>Region of origin</b>	Nordrhein-Westfalen
<b>WEEE/ElektroG</b>	nicht ear-pflichtig
<b>Customs tariff no.</b>	82042000
<b>Packing standard</b>	1
<b>Weight</b>	50 g

## Variants.

Product no.	Model no. (ERP)	Description	GTIN
02440020	47 A 5/16	3/8 " Flex socket Wrench size 5/16" L.45,5mm	4018754173617
02440024	47 A 3/8	3/8 " Flex socket Wrench size 3/8" L.45,5mm	4018754004409
02440028	47 A 7/16	3/8 " Flex socket Wrench size 7/16" L.47,5mm	4018754004416
02440032	47 A 1/2	3/8 " Flex socket Wrench size 1/2" L.47,5mm	4018754004423
02440034	47 A 9/16	3/8 " Flex socket Wrench size 9/16" L.48,5mm	4018754004430
02440036	47 A 5/8	3/8 " Flex socket Wrench size 5/8" L.51,5mm	4018754004447
02440038	47 A 11/16	3/8 " Flex socket Wrench size 11/16" L.53,5mm	4018754004454
02440040	47 A 3/4	3/8 " Flex socket Wrench size 3/4" L.57mm	4018754004461

## GTIN-Code.

