

**Sockets 3/8", inch**

**460a**

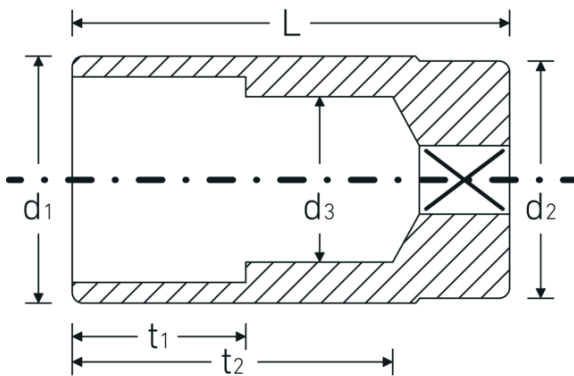


Product no. **02620028**  
 GTIN **4018754005116**  
 Model **460 A 7/16**



**Label.** 3/8 " Socket Wrench size 7/16" L.38mm

**Technical Drawing.**



**Technical Attributes.**

<b>Drive profile</b>	bi-hex AS-Drive®
<b>Internal square drive (inch)</b>	3/8 "
<b>d1</b>	15,7 mm
<b>d2</b>	16,5 mm
<b>d3</b>	10 mm
<b>Length mm (L)</b>	38 mm
<b>Wrench size [inch]</b>	7/16 "
<b>t1</b>	11 mm
<b>t2</b>	24,5 mm

**Logistics data.**

<b>Depth mm (IFS)</b>	38
<b>Width mm (IFS)</b>	17
<b>Height mm (IFS)</b>	17
<b>Length (packed, mm)</b>	90
<b>Width (packed, mm)</b>	50
<b>Height (packed, mm)</b>	17
<b>Volume (packed, dm3)</b>	0.0765 dm3
<b>Product no.</b>	02620028
<b>Weight (gross, kg)</b>	0,165

<b>Weight PAP (kg)</b>	0,000
<b>Weight PVC (kg)</b>	0,005
<b>GTIN</b>	4018754005116
<b>Country of origin</b>	GERMANY
<b>Region of origin</b>	Nordrhein-Westfalen
<b>WEEE/ElektroG</b>	nicht ear-pflichtig
<b>Customs tariff no.</b>	82042000
<b>Packing standard</b>	5
<b>Weight</b>	33 g

## Variants.

Product no.	Model no. (ERP)	Description	GTIN
02620016	460 A 1/4	3/8 " Socket Wrench size 1/4" L.32mm	4018754005086
02620020	460 A 5/16	3/8 " Socket Wrench size 5/16" L.32mm	4018754005093
02620024	460 A 3/8	3/8 " Socket Wrench size 3/8" L.38mm	4018754005109
02620028	460 A 7/16	3/8 " Socket Wrench size 7/16" L.38mm	4018754005116
02620032	460 A 1/2	3/8 " Socket Wrench size 1/2" L.44mm	4018754005123

## GTIN-Code.

