

TORX® screwdriver sockets 3/4"

59TX

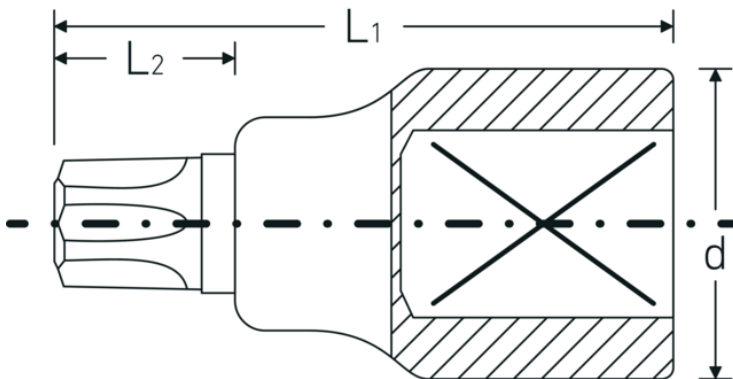


Product no. **05100080**
GTIN **4018754132195**
Model **59TX T 80**



Label. 3/4 " Screwdriver socket L.80mm

Technical Drawing.



Technical Attributes.

Drive profile	TORX®
Internal square drive (inch)	3/4 "
d	34,7 mm
Size of output profile	T80
L1	80 mm
L2	25 mm

Logistics data.

Depth mm (IFS)	80
Width mm (IFS)	35
Height mm (IFS)	35
Length (packed, mm)	80
Width (packed, mm)	35
Height (packed, mm)	35
Volume (packed, dm3)	0.098 dm3
Product no.	05100080
Weight (gross, kg)	0,300

Weight PAP (kg)	0,000
Weight PVC (kg)	0,003
GTIN	4018754132195
Country of origin	GERMANY
Region of origin	Nordrhein-Westfalen
WEEE/ElektroG	nicht ear-pflichtig
Customs tariff no.	82042000
Packing standard	1
Weight	300 g

Variants.

Product no.	Model no. (ERP)	Description	GTIN
05100060	59TX T 60	3/4 " Screwdriver socket L.80mm	4018754132171
05100070	59TX T 70	3/4 " Screwdriver socket L.80mm	4018754132188
05100080	59TX T 80	3/4 " Screwdriver socket L.80mm	4018754132195
05100090	59TX T 90	3/4 " Screwdriver socket L.80mm	4018754132201
05100100	59TX T100	3/4 " Screwdriver socket L.80mm	4018754132218

GTIN-Code.

