

UNIFLEX socket

47TX

Product no. **02070008**
 GTIN **4018754002719**
 Model **47 TX E 8 GELENK-
 STECKSCHLUESSELEINSATZ
 3/8 ZOLL**



Label. 3/8 " UNIFLEX socket L.43mm

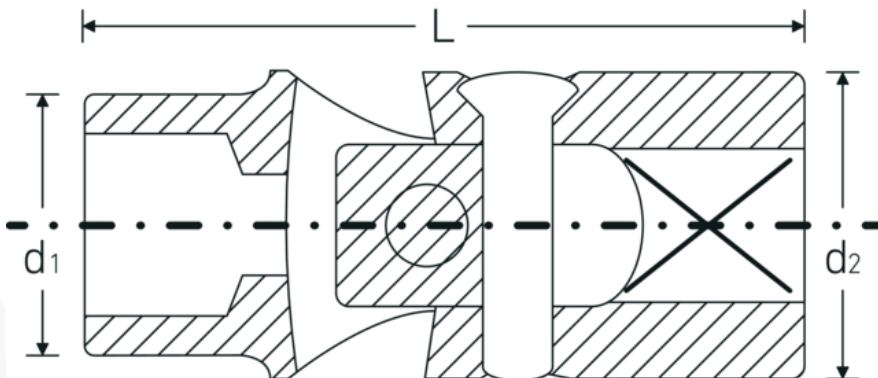
Features.

- for external TORX® screws
- Chrome Alloy Steel, chrome plated

Advantages.

For external TORX® screws.

Technical Drawing.



Technical Attributes.

Drive profile TORX®
 Internal square drive (inch) 3/8 "

Logistics data.

Depth mm (IFS) 44
 Width mm (IFS) 20

d1	11,5 mm	Height mm (IFS)	20
d2	19 mm	Length (packed, mm)	45
Size of output profile	E8	Width (packed, mm)	20
Length mm (L)	43 mm	Height (packed, mm)	20
		Volume (packed, dm3)	0.018 dm3
		Art. no.	02070008
		Weight (gross, kg)	0,061
		Weight PAP (kg)	0,000
		Weight PVC (kg)	0,002
		GTIN	4018754002719
		Country of origin	GERMANY
		Region of origin	Nordrhein-Westfalen
		WEEE/ElektroG	nicht ear-pflichtig
		Customs tariff no.	82042000
		Packing standard	1
		Weight	56 g

Variants.

Art. no.	Model no. (ERP)	Description	GTIN
02070008	47 TX E 8 GELENK- STECKSCHLUESSELEINSATZ 3/8 ZOLL	3/8 " UNIFLEX socket L.43mm	4018754002719
02070010	47 TX E 10 GELENK- STECKSCHLUESSELEINSATZ 3/8 ZOLL	3/8 " UNIFLEX socket L.44mm	4018754002726
02070012	47 TX E 12 GELENK- STECKSCHLUESSELEINSATZ 3/8 ZOLL	3/8 " UNIFLEX socket L.46mm	4018754002733
02070014	47 TX E 14 GELENK- STECKSCHLUESSELEINSATZ 3/8 ZOLL	3/8 " UNIFLEX socket L.48mm	4018754002740

GTIN-Code.



4 018754 002719



STAHLWILLE Eduard Wille GmbH & Co. KG

Lindenallee 27 · 42349 Wuppertal · Germany · Phone: +49 202 4791-0 · Fax: +49 202 4791-200
info@stahlwille.de · www.stahlwille.com · Copyright by STAHLWILLE Eduard Wille GmbH & Co. KG, Wuppertal
Copyright by STAHLWILLE Eduard Wille GmbH & Co. KG, Wuppertal