

Socket 1/2", inch, extra deep, bolt clearance

51aP



Product no. **03421041**
GTIN **4018754181414**
Model **51AP 25/32**



Label. 1/2 " Socket Wrench size 25/32" L.80mm

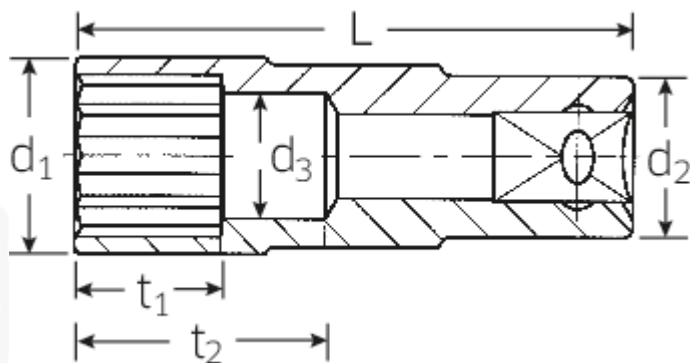
Technologies and features.



High Performance Quality (HPQ®)

Our HPQ® tool is made of wear-resistant high-performance steel, yet is thin-walled and lightweight. It withstands high torques and is ideal for work in confined spaces such as turbines.

Technical Drawing.



Technical Attributes.

Drive profile	bi-hex
Internal square drive (inch)	1/2 "
d1	28 mm
d2	23 mm
d3	17,9 mm
Length mm (L)	80 mm
Wrench size [inch]	25/32 "
t1	21 mm
t2	36 mm

Logistics data.

Depth mm (IFS)	80
Width mm (IFS)	28
Height mm (IFS)	28
Length (packed, mm)	85
Width (packed, mm)	40
Height (packed, mm)	40
Volume (packed, dm3)	0.136 dm3
Product no.	03421041
Weight (gross, kg)	0,182
Weight PAP (kg)	0,000
Weight PVC (kg)	0,003
GTIN	4018754181414
Country of origin	GERMANY
Region of origin	Nordrhein-Westfalen
WEEE/ElektroG	nicht ear-pflichtig
Customs tariff no.	82042000
Packing standard	1
Weight	182 g

Variants.

Product no.	Model no. (ERP)	Description	GTIN
03421041	51AP 25/32	1/2 " Socket Wrench size 25/32" L.80mm	4018754181414

GTIN-Code.

