



## TORX® screwdriver sockets 3/4"

### 59TX

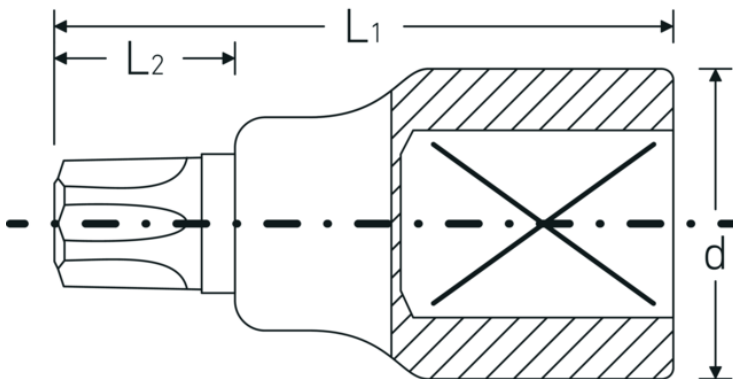


Product no. **05100060**  
GTIN **4018754132171**  
Model **59TX T 60**



**Label.** 3/4 " Screwdriver socket L.80mm

### Technical Drawing.



### Technical Attributes.

Drive profile	TORX®
Internal square drive (inch)	3/4 "
d	34,7 mm
Size of output profile	T60
L1	80 mm
L2	25 mm

### Logistics data.

Depth mm (IFS)	36
Width mm (IFS)	35
Height mm (IFS)	35
Length (packed, mm)	100
Width (packed, mm)	70
Height (packed, mm)	36
Volume (packed, dm3)	0.252 dm3
Product no.	05100060
Weight (gross, kg)	0,260

<b>Weight PAP (kg)</b>	0,000
<b>Weight PVC (kg)</b>	0,003
<b>GTIN</b>	4018754132171
<b>Country of origin</b>	GERMANY
<b>Region of origin</b>	Nordrhein-Westfalen
<b>WEEE/ElektroG</b>	nicht ear-pflichtig
<b>Customs tariff no.</b>	82042000
<b>Packing standard</b>	1
<b>Weight</b>	260 g

## Variants.

Product no.	Model no. (ERP)	Description	GTIN
05100060	59TX T 60	3/4 " Screwdriver socket L.80mm	4018754132171
05100070	59TX T 70	3/4 " Screwdriver socket L.80mm	4018754132188
05100080	59TX T 80	3/4 " Screwdriver socket L.80mm	4018754132195
05100090	59TX T 90	3/4 " Screwdriver socket L.80mm	4018754132201
05100100	59TX T100	3/4 " Screwdriver socket L.80mm	4018754132218

## GTIN-Code.

