

TROLLEY 13217 / 13217 IP67

OPERATING INSTRUCTIONS
MANUAL

TROLLEY 13217 / 13217 IP67

OPERATING INSTRUCTIONS MANUAL



CONTENTS

OPERATING INSTRUCTIONS

Note	2
Target group for these operating instructions	3
Technical description	3
Dimensions	4
Product features	4
Equipment features	5
Intended use, scope of application	7
Basic safety instructions	8
Disposal	8
Cleaning / Care / Maintenance	8
Spare parts list	10

NOTE

2	Please read these operating instructions carefully to ensure safe handling. Keep these instructions for future use.
3	The operating instructions will help you in using the tool trolley 13217 & 13217 IP 67 safely and in accordance with its intended use.
7	Version: 01/2023

1

TARGET GROUP FOR THESE OPERATING INSTRUCTIONS

The operating instructions are intended for users of the tool trolley **13217 & 13217 IP 67**.

The information in these operating instructions is intended for authorised, trained and instructed personnel.

It is assumed that these persons have general technical knowledge.

Any person

- transporting
- disassembling
- handling
- using

the tool trolley must have read and understood the relevant content of these operating instructions.

If you do not understand any of the information in these operating instructions or if you are missing information, please contact our technical support at [+49 202 47 91 213](tel:+492024791213).

2

TECHNICAL DESCRIPTION

The **13217 & 13217 IP67** trolley is ideal for professional users to store and transport tools of any kind (hand tools, power tools, spare parts) and is ideally suited for maintenance and after-sales service. It consists of a sturdy injection-moulded main housing made of copolymer PP and is therefore considered to be particularly durable, impact-resistant and temperature-resistant.





5 EQUIPMENT FEATURES

Front cover opening
The front cover can be opened up to 180°.



Figure 1: Trolley with front door cover open to 180°

Cover seals
Both the top (only 13217 IP 67) and the front cover are equipped with polyurethane seals that protect the housing from water ingress.



Figure 3: Seal on opened cover



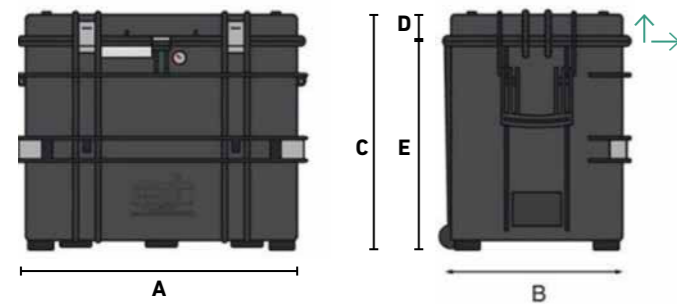
Figure 4: Seal on opened front cover

3 DIMENSIONS

The dimensions given below refer to the external dimensions.

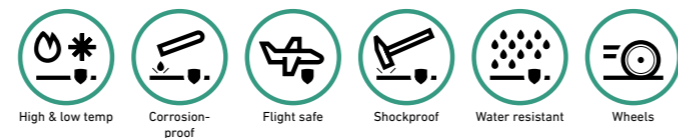
- Empty weight: 13.5 kg
- Temperature range min -33°C / max +90°

	mm
A	581
B	381
C	455
D	59
E	396



4 PRODUCT CHARACTERISTICS

- 2 side handles
- Locking telescopic handle, extendable to a maximum of 990 mm
- 4 self-lubricating rolls
- Front valve closures (2 for 13217; 4 for 13217 IP67)
- Built-in locking device for the drawers
- Cover and front flap, removable
- Each flap can be locked separately with a padlock



Metal clamps
Reinforced metal clamps at the main points for locks.



Figure 2: View of the front metal clamps with the cover closed

Stackable
The special design of the base and cover feet ensures perfect stackability.



Figure 5: Two stacked tool trolleys



6 EQUIPMENT FEATURES

Side handles

Two folding side handles allow the tool trolley to be carried by two people.



Figure 6: Tool trolley with folded out side handles

Self-stop system

All drawers are fitted with a self-stop to prevent accidental opening.



Figure 8: Self-stop drawer system

Main and front cover locks

The tool trolley is equipped with four clamp-free top cover closures (two for non-IP67 versions) with easy opening mechanism and four front main door closures. (Two for non-IP 67 versions)



Figure 7: Cover locks

Nameplate that can be written on

The tool trolley has a water-proof and removable PVC ID label. This is where a name tag can be inserted.



Figure 9: Writable nameplate

Automatic venting valve

The tool trolley has an automatic pressure relief valve (only for the IP 67 version).



Figure 10: Automatic pressure relief valve

7 INTENDED USE, SCOPE OF APPLICATION

All instructions in the operating instructions must be followed to ensure proper use. Any other use is considered improper use. STAHLWILLE Eduard Wille GMBH & CO. shall not be liable for any damage resulting from such use.

The tool trolley **13217 IP67** has protection class **IP67** and is virtually maintenance-free. Available spare parts are listed in the associated spare parts list.

The tool trolleys **13217** and **13217 IP67** are designed exclusively for the transport and storage of tools.

- No modifications (e.g. installation or modification of the tool trolley) may be made to the tool trolley without the manufacturer's approval.
- Any damaged parts on the tool trolley should be replaced immediately with original spare parts from the included spare parts list.
- Only original spare parts and wear parts should be used.
- The built-in extendable trolley handle should only be used to pull the trolley behind you over flat surfaces. To do this, press the unlock button on the handle and pull the handle to the desired height until the push buttons audibly click into place. There are three different height settings.
- There are two fold-out handles on the sides for carrying the trolley. Due to the high weight, loaded tool trolleys should only be carried by 2 people. Avoid falls from greater heights, especially with the telescopic handle extended or the folded handles folded out. To avoid injuries from dropping, always wear safety shoes when using the trolley.
- The maximum load is 36.5 kg. The maximum total weight is 50 kg.
- The 30 mm high drawer can be loaded to a maximum of 5 kg.
- The 60 and 95 mm high drawers can be loaded to a maximum of 15 kg.



Do not lift the trolley off the ground using the extendable handle

Figure 11: Trolley with retracted integrated trolley handle



BASIC SAFETY INSTRUCTIONS

Injury hazard due to crushing

When closing the front and cover flaps, care must be taken to ensure that no extremities are located between the frame and the cover edge.

DISPOSAL

Dispose of the tool trolley 13217 through an approved disposal company. Observe and follow the applicable regulations. If you are in doubt, contact your city or local authority.

CLEANING / CARE / MAINTENANCE

Carry out cleaning and maintenance work as necessary according to the following operating rules:

- Do not use compressed air to clean the trolley. Dirt penetration damages seals.
- Clean the plastic parts of the trolley with a cloth soaked in mild soapy water.
- For detergents, observe and follow the manufacturer's instructions.
- Prevent soapy water from entering seals.
- Store detergents and lubricants in accordance with applicable regulations.
- Dispose of detergents and lubricants in accordance with local regulations.
- Check the trolley periodically for damage and replace defective components with original spare parts.



SPARE PARTS LIST FOR TROLLEY 13217 AND 13217 IP67



Position no.	Code number	Item name
1	90432684	13217 Closure red IP67
2	90432685	13217 Side closure
3	90432686	13217 Cover closure
3.1	90432686	13217 Cover closure IP 67
4	90432687	13217 Drawer handle 30 mm
5	90432688	13217 Drawer handle 60 mm
6	90432689	13217 Drawer handle 95 mm
7	90432580	13217 TG Telescopic handle
8	81483230	13217 Drawer 30 mm
9	81483260	13217 Drawer 60 mm
10	81483295	13217 Drawer 95 mm
11	90432645	13217 Spare wheel kit with 2 wheels

Position no.	Code number	Item name
12	90432581	13217 SG side grip
13	90432682	13217 IP67 cover
14	90432767	13217 Front cover black
15	90432683	13217 IP67 front cover
16	90432578	Tray for holding cover insert
17	90432579	Transparent drawer cover
18	90432631	Closure for transparent drawer cover
19	90432633	Metal eyelet
20	96894805	13217 Wheelset
21	90432737	13217 Drawer locking device
22	89010100	13217 Transparent cover

TROLLEY 13217 13217 IP



STAHLWILLE Eduard Wille GmbH & Co. KG · Lindenallee 27 · 42349 Wuppertal · Germany
Tel.: +49 202 4791-0 · Fax: +49 202 4791-200 · support@stahlwille.de · www.stahlwille.com

© STAHLWILLE Eduard Wille GmbH & Co. KG // 0-01-23 WEB // 91973029

