

SURPASSES ITSELF. THE TELESCOPIC RATCHET 516

High forces are often required in the industrial and commercial vehicle sector – and often where space is at a premium. The STAHLWILLE telescopic ratchet 516 with 1/2" drive provides the ideal solution. Robust materials and a 5-position adjustable shaft allow for high leverage forces – and always at the right length. Durability and ruggedness are a given. STAHLWILLE. Made in Germany.



The length can be easily adjusted, even one-handed, in **55 mm increments** (410 mm, 465 mm, 520 mm, 575 mm and 630 mm) using the **rocker switch**.



The sturdy ratchet drive has **36 teeth** and delivers **DIN-tested** (DIN 3122/ISO 3315) high torques of up to **512 N·m**.



The **maintenance-free slide bearing** and stop protection ensure that the button is quick and safe to operate and is particularly **durable**.

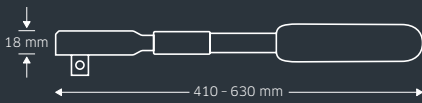
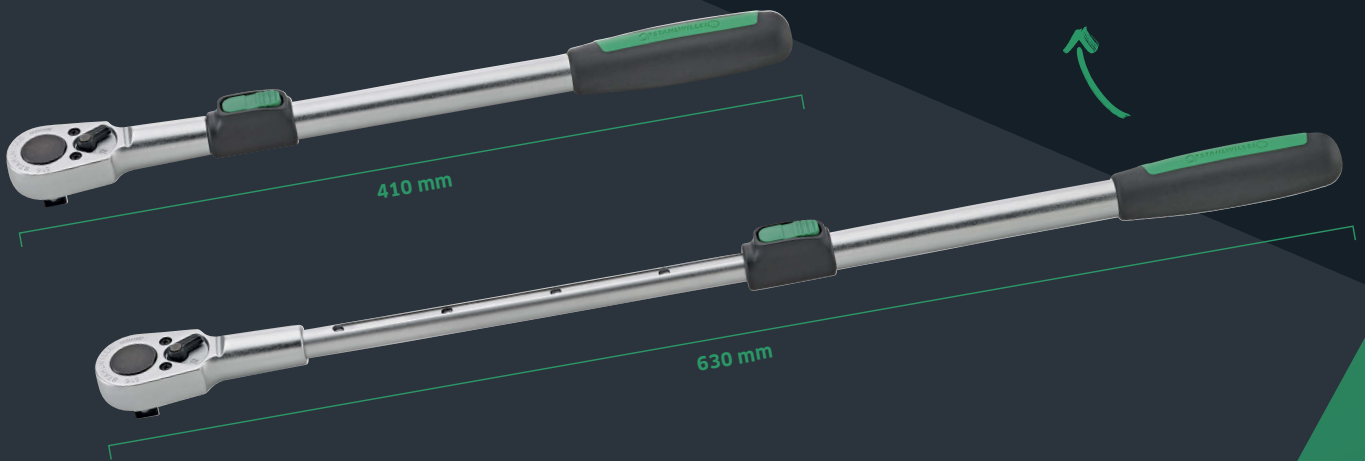


The switch for **clockwise and counterclockwise** is **slightly recessed to avoid accidental switching**.

POWERFUL AND VARIABLE.

The comfortable two-component handle fits perfectly in the hand and is resistant to oil, grease, brake fluid, and Skydrol. The 1/2" square drive of the 516 telescopic ratchet is suitable for all common sockets and bits.

With comfortable two-component handle.



516 Telescopic ratchet

Code	No.	L mm	Number of teeth	Working angle	■"	g
13160000	516	410 - 630 mm	36	10°	1/2	1120